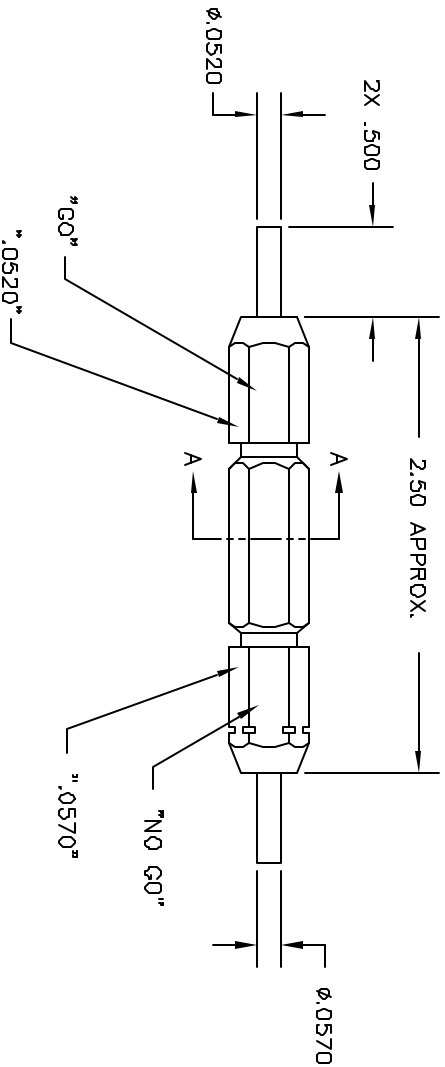


REVISIONS			
REV. NO.	DESCRIPTION	BY DATE	APP'D DATE
1	ORIGINAL RELEASE	1/19/03	1/19/03

"DO NOT CRIMP"
"GAGE"
"DANIELS-USA G1003"
"SET SEL. AT 3"
"FOR M309 TOOL"

SECTION A-A



UNCONTROLLED DOCUMENT
WILL NOT BE UPDATED

RESTRICTED & CONFIDENTIAL		MATERIAL		ITEM		PART NO.		QTY.		DESCRIPTION/REMARKS	
CONFIDENTIAL PROPERTY OF DANIELS MANUFACTURING CORP. NOT TO BE REPRODUCED OR USED FOR ANY OTHER PURPOSE EXCEPT AS AUTHORIZED IN WRITING BY DANIELS MANUFACTURING. MUST BE RETURNED TO DANIELS MANUFACTURING UPON COMPLETION OF ORDER NUMBER 1881 WHICH ENDS		HEAT TREAT		DRG. J. JOYCE		DATE 1/19/03		DATE 1/19/03		DANIELS MANUFACTURING CORP. ORLANDO, FLORIDA CASE 11851	
DO NOT SCALE DRAWING		FINISH		APPR. RRR		DATE		DATE		TITLE	
				APPR.						G0/ND-G0 GAGE ENVELOPE DRAWING	
				DATE						WHERE USED M309	
				DATE						SIZE B	
				DATE						SCALE NTS	
				DATE						POSTING	
				DATE						SHEET 1 OF 1	
				DATE						REV 1	
				DATE						P/N G1003-ENV	
				DATE						REV 1	