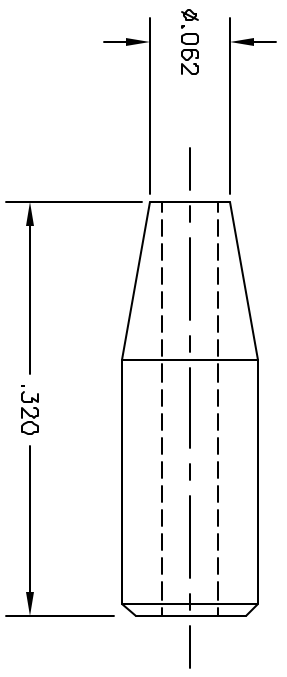
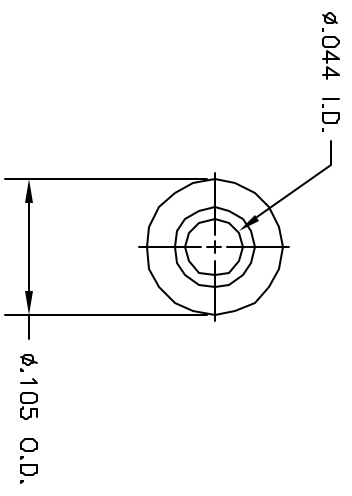



REVISIONS				
REV. NUMBER	E.C.O. NUMBER	DESCRIPTION	BY DATE	APPRO. DATE
1		ORIGINAL RELEASE	MPC 4/22/94	MSS 4/84

**UNCONTROLLED DOCUMENT
WILL NOT BE UPDATED**



RESTRICTED & CONFIDENTIAL CONFIDENTIAL PROPERTY OF DANIELS MANUFACTURING CORP. NOT TO BE DISCLOSED TO OTHERS, REPRODUCED OR USED FOR ANY OTHER PURPOSE, EXCEPT AS AUTHORIZED IN WRITING BY DANIELS MANUFACTURING CORP. OR COMPLETION OF ORDER OR OTHER PURPOSE FOR WHICH INTENT.		MATERIAL		FINISH	
		HEAT TREAT		FINISH	
ITEM	PART NO.	QTY.	DESCRIPTION/REMARKS		
TRNS. W. CAPERS DRA. MSS	DATE 4/22/94 4/84		 DANIELS MANUFACTURING CORP. ORLANDO, FLORIDA PAGE 11851		
APPRO.	DATE		TITLE LONG CONICAL FERRULE FOR Ø.032 SAFE-T-CABLE ENVELOPE DRAWING		
NOTE: THIS DRAWING IS AN OUTLINE DRAWING OF THE RESPECTIVE INDICATED PART NUMBER. THE PART NUMBER IS DRAWING NUMBER WITHOUT THE "-ENV" SUFFIX.		WHERE USED:	CAD P/N	SHEET	OF
		B	F10-06-ENV	1	1
		10/1	F10-06-ENV	1	1
			DMG. NO.		REV.
			F10-06-ENV		1

2. FERRULES ARE PACKAGED IN GROUPS OF 50 PIECES.
 1. MATERIAL: AMS 5570 (UNS S32100) SEAMLESS TUBING.

NOTES:

DO NOT SCALE DRAWING