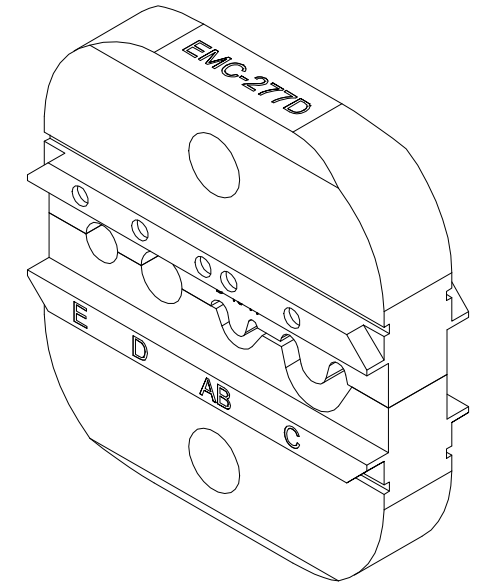
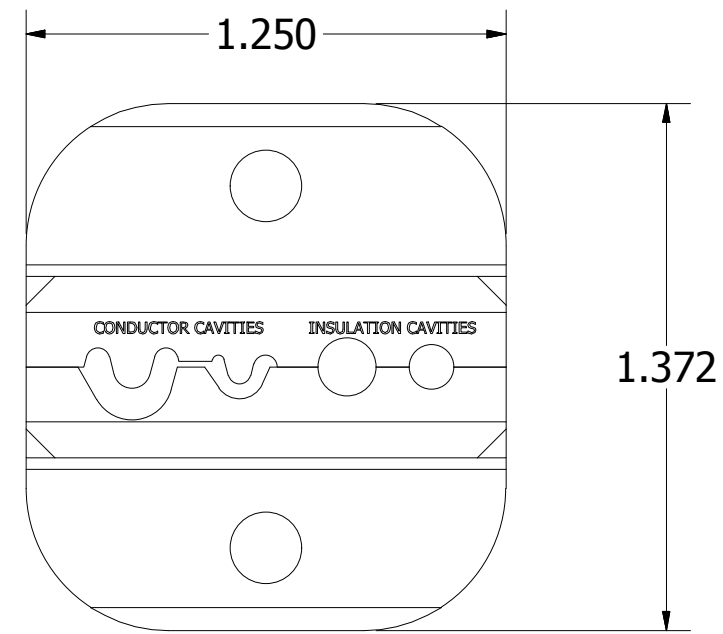
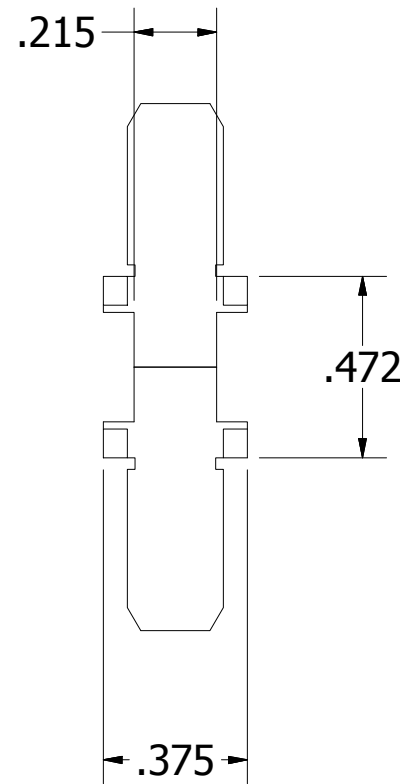
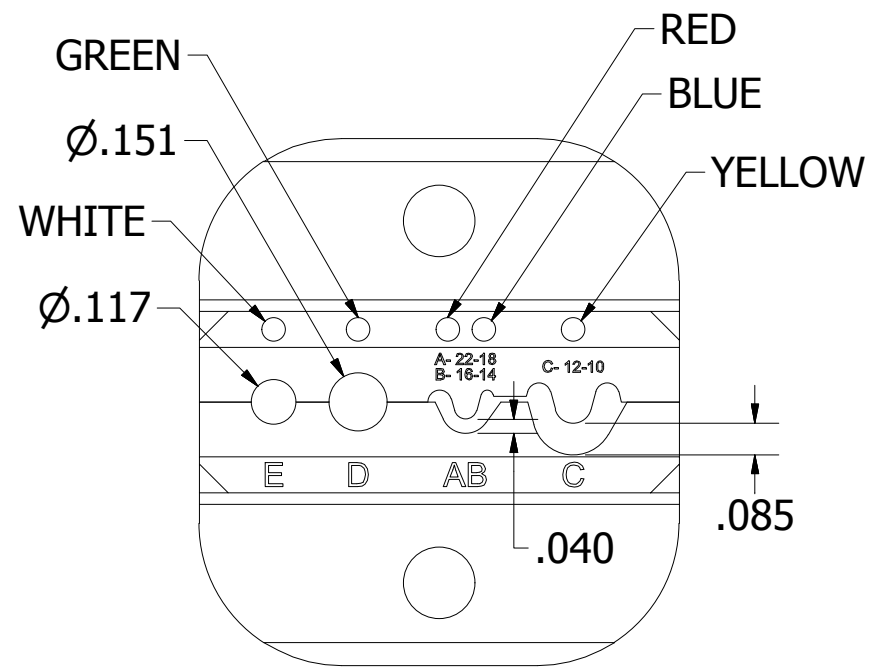


USERS MUST ASSURE THEY ARE USING THE CORRECT REVISION.

REVISIONS					
REV	ECO NO.	DESCRIPTION	BY	DATE	APP'D BY
1		ORIGINAL RELEASE	K. KOONS	3/27/2017	



ISOMETRIC VIEW  
REF ONLY

**UNCONTROLLED DOCUMENT  
WILL NOT BE UPDATED**

**DIMENSIONS IN INCHES - UNLESS OTHERWISE SPECIFIED**

1. FUNCTIONAL EQUIVALENT TO GMT277 (M22520/38-01).  
NOTES:

MATERIAL	ITEM	PART NO.	QTY.	DESCRIPTION / REMARKS
NA	DRN. KIRK C KOONS CHK'D. TLM	DATE 4/8/2016 DATE 4/8/2016		<b>DMC</b> DANIELS MANUFACTURING CORP. ORLANDO, FLORIDA CAGE 11851
RESTRICTED & CONFIDENTIAL CONFIDENTIAL PROPERTY OF DANIELS MANUFACTURING CORP. NOT TO BE DISCLOSED TO OTHERS. REPRODUCTION OR USED FOR ANY OTHER PURPOSE EXCEPT AS AUTHORIZED IN WRITING BY DANIELS MANUFACTURING. MUST BE RETURNED TO DANIELS MANUFACTURING CORP. ON COMPLETION OF ORDER OR PURPOSES FOR WHICH LENT.	HEAT TREAT	NOTE: THIS DRAWING IS AN OUTLINE DRAWING OF THE RESPECTIVE DMC PART NUMBER INDICATED. ACTUAL DMC PART NUMBER IS CAD PART NUMBER WITHOUT THE "-ENV" SUFFIX	TITLE <b>DIE SET ENVELOPE DRAWING</b>	
CREATED FROM AN INVENTOR MODEL. CHANGES MUST BE REFLECTED IN THE 3D PART	FINISH	NA	WHERE USED: SIZE B	SCALE 2 : 1 CAD P/N EMC-277D-ENV DWG. NO. EMC-277D
DO NOT SCALE DRAWING			SHEET 1 OF 1 REV. 1	