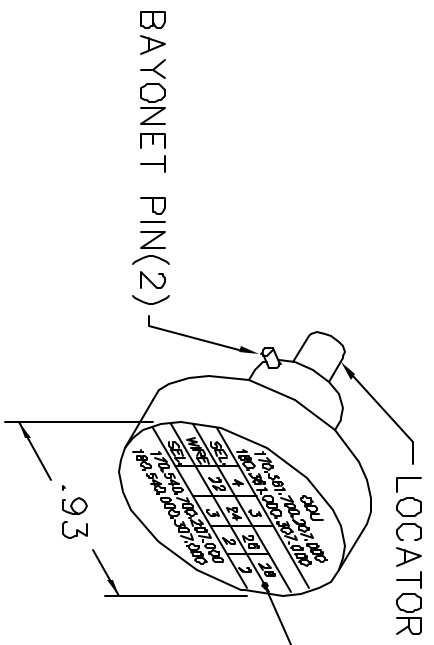
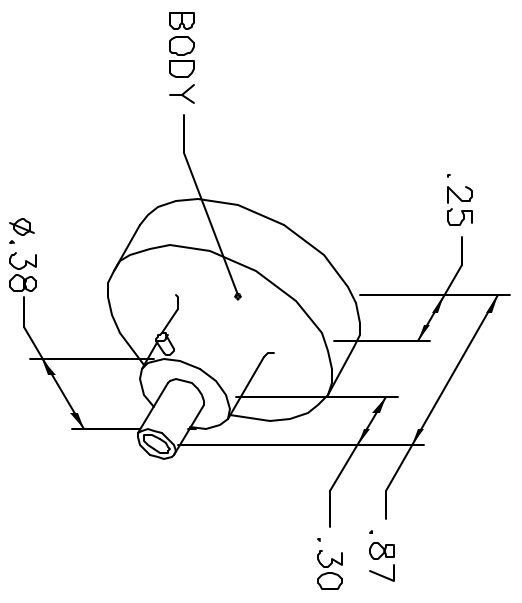


REVISIONS				
REV. SYM.	E.C.D. NUMBER	DESCRIPTION	BY DATE	APP'D DATE
1		ORIGINAL RELEASE	AMM 7-7-00	RRR 7-7-00

**UNCONTROLLED DOCUMENT
WILL NOT BE UPDATED**



ODU				
	170.361.700.207.000			
	180.361.000.307.000			
SEL.	4	3		
WIRE	22	24	26	28
SEL.		3	2	2
	170.540.700.207.000			
	180.540.000.307.000			

NOTE: FOR USE WITH DANIELS CRIMP TOOLS
ACCOMMODATING "86" SERIES POSITIONERS

LOCATOR	ADDITIONAL FEATURES
HOLE DIMENSIONS	∅.035
	∇.69 MIN.
	∇.408

RESTRICTED & CONFIDENTIAL

CONFIDENTIAL PROPERTY OF DANIELS MANUFACTURING CORP. NOT TO BE DISCLOSED TO OTHERS, REPRODUCED OR USED FOR ANY OTHER PURPOSE, EXCEPT AS AUTHORIZED IN WRITING BY DANIELS MANUFACTURING. MUST BE RETURNED TO DANIELS MANUFACTURING CORP. ON COMPLETION OF ORDER OR OTHER PURPOSE FOR WHICH LENT.

DO NOT SCALE DRAWING

DRN. A. MOO-YOUNG	DATE 7-7-00
CHK'D. RRR	DATE 7-7-00
APP'D.	DATE
APP'D.	DATE

DANIELS MANUFACTURING CORP.
ORLANDO, FLORIDA
CAGE 11851

TITLE: ENVELOPE DRAWING POSITIONER

WHERE USED: MH86D

SIZE A	SCALE NTS	CAD P/N 86-277-ENV	SHEET 1 OF 1
POSTING		P/N 86-277-ENV	REV. 1