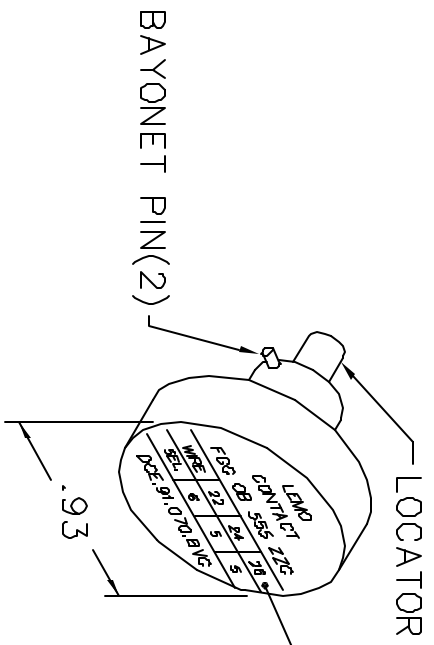
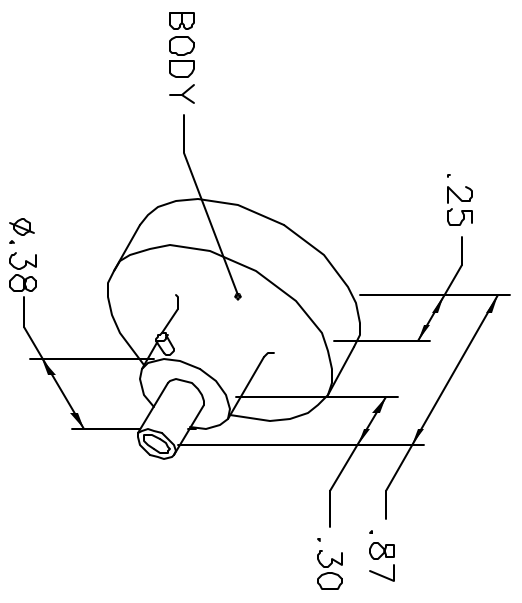


REVISIONS				
REV. SYM.	E.C.D. NUMBER	DESCRIPTION	BY DATE	APP'D DATE
1		ORIGINAL RELEASE	AAM 5-19-99	RRR 5-19-99

**UNCONTROLLED DOCUMENT
WILL NOT BE UPDATED**



LEM0 CONTACT			
FGG OB 555 ZZC			
WIRE	22	24	26
SEL.	6	5	5
DCE.91.070.BVC			

NOTE: FOR USE WITH DANIELS CRIMP TOOLS
ACCOMMODATING "86" SERIES POSITIONERS

LOCATOR	ADDITIONAL FEATURES
HOLE DIMENSIONS	$\varnothing.033$
	$\nabla.374$
	$\nabla.20$

RESTRICTED & CONFIDENTIAL

CONFIDENTIAL PROPERTY OF DANIELS MANUFACTURING CORP. NOT TO BE DISCLOSED TO OTHERS, REPRODUCED OR USED FOR ANY OTHER PURPOSE, EXCEPT AS AUTHORIZED IN WRITING BY DANIELS MANUFACTURING. MUST BE RETURNED TO DANIELS MANUFACTURING CORP. ON COMPLETION OF ORDER OR OTHER PURPOSE FOR WHICH LENT.

DO NOT SCALE DRAWING

DRN. A. MOO-YOUNG	DATE 5-19-99	DMC DANIELS MANUFACTURING CORP. ORLANDO, FLORIDA CAGE 11851		
CHK'D. RRR	DATE 5-19-99			
APP'D.	DATE	TITLE ENVELOPE DRAWING POSITIONER		
APP'D.	DATE			
NOTE: THIS DRAWING IS AN OUTLINE DRAWING OF THE RESPECTIVE DMC PART NUMBER INDICATED. ACTUAL DMC PART NUMBER IS DRAWING NUMBER WITHOUT THE "-ENV" SUFFIX.		WHERE USED:	CAD P/N	SHEET
		SIZE A	86-271-ENV	1
		SCALE NTS	DWG. NO. 86-271-ENV	OF 1
		POSTING		REV. 1