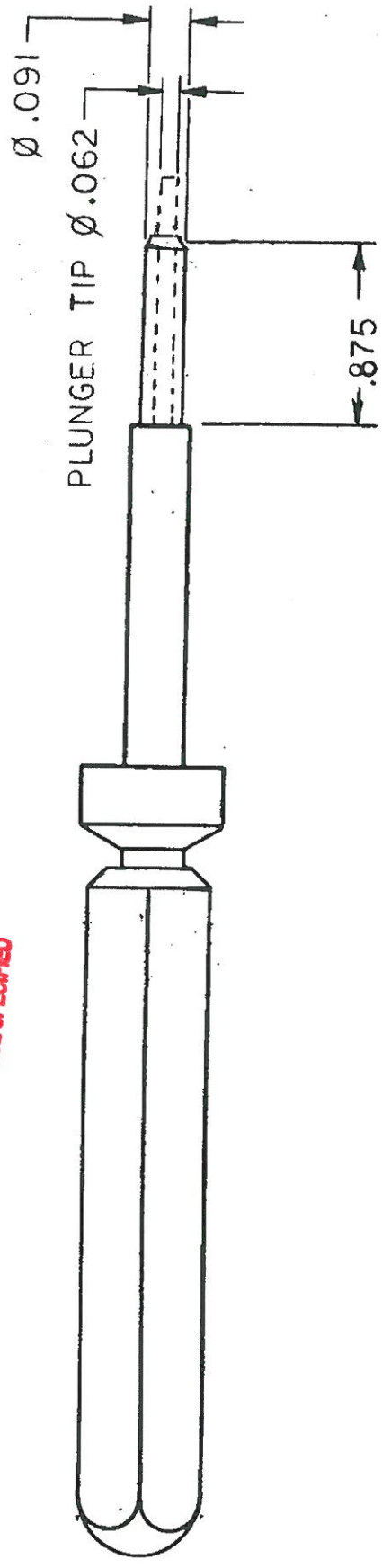


REV. SYM.		ECO NO.	REVISIONS		BY DATE	APP'D DATE
A			ORIG. RELEASE	4-03 9/22/89	g.l.	

**UNCONTROLLED DOCUMENT
WILL NOT BE UPDATED**
DIMENSIONS IN INCHES-UNLESS OTHERWISE SPECIFIED



ITEM	PART NUMBER	REQ'D	DESCRIPTION/NOMENCLATURE
DIN	DATE 9-28-89		Daniel's Manufacturing Corp. ORLANDO, FLORIDA CAGE 11851
CHKB	DATE 9-27-89		
APP'D	DATE 9-27-89		TITLE REMOVAL TOOL # 20
APP'D	DATE		WHERE USED: SIZE SCALE SUPERSEDES A NTS POSTING PART NO. DRK84-20-ENV
RESTRICTED & CONFIDENTIAL CONFIDENTIAL INFORMATION, PROPERTY OF DANIEL'S MFG. CORP. NOT TO BE DISCLOSED TO OTHERS, REPRODUCED OR USED FOR ANY OTHER PURPOSE, EXCEPT AS AUTHORIZED IN WRITING BY DANIEL'S MFG. CORP. MUST BE RETURNED TO DANIEL'S MFG. CORP. ON COMPLETION OF ORDER OR OTHER PURPOSE FOR WHICH LENT.		TOLERANCE: UNLESS OTHERWISE SPECIFIED FRACTIONS 1/32 ANGLES 1/2° DECIMALS: .X .1 .005 .XXX .0005 REMOVE BURRS & BREAK SHARP EDGES .005-.015	

1. PLUNGER STROKE 1.045 MIN
PLUNGER RETRACT .740 MIN

NOTES: