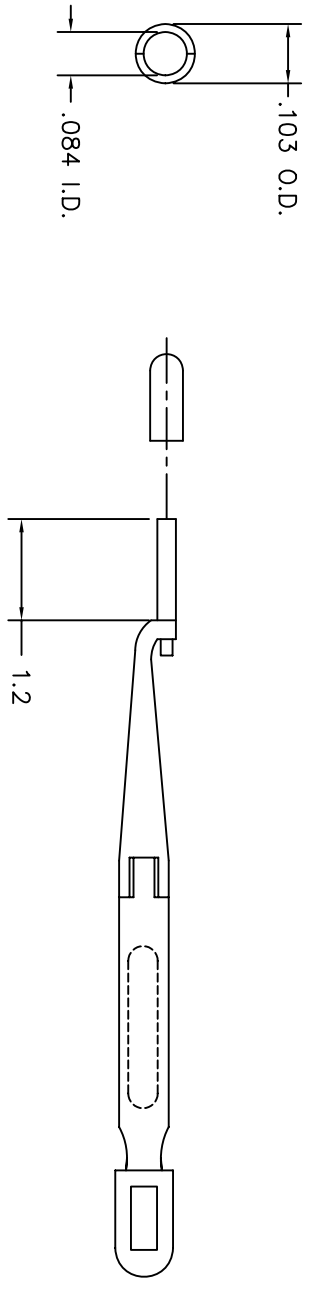
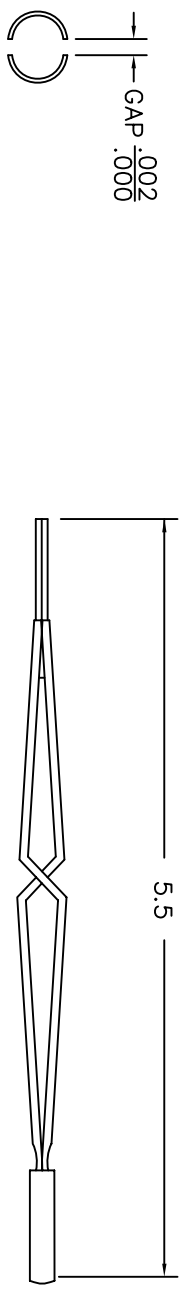


| REVISIONS | | | | |
|-------------|---------------|------------------|-----------------|-----------------|
| REV. NUMBER | E.C.O. NUMBER | DESCRIPTION | BY DATE | APP'D DATE |
| 1 | | ORIGINAL RELEASE | JMM 11/30/06 | RRR 11/30/06 |



UNCONTROLLED DOCUMENT
WILL NOT BE UPDATED

RESTRICTED & CONFIDENTIAL

CONFIDENTIAL PROPERTY OF DANIELS MANUFACTURING CORP. NOT TO BE DISCLOSED TO OTHERS, REPRODUCED OR USED FOR ANY OTHER PURPOSE, EXCEPT AS AUTHORIZED IN WRITING BY DANIELS MANUFACTURING. MUST BE RETURNED TO DANIELS MANUFACTURING CORP. ON COMPLETION OF ORDER OR PURCHASE FOR WHICH LENT.

| ITEM | PART NO. | QTY. | DESCRIPTION/REMARKS |
|--|--|---|---------------------|
| DRN. J. JOYCE CHK'D. RRR APP'D. | DATE 11/30/06 DATE 11/30/06 DATE | | |
| NOTE: THIS DRAWING IS AN OUTLINE DRAWING OF THE RESPECTIVE DIMC PART NUMBER INDICATED. ACTUAL DIMC PART NUMBER IS DRAWING PART NUMBER WITHOUT THE "-ENV" SUFFIX. | | | |
| WHERE USED: SIZE B SCALE NTS POSTING | | CAD P/N DRK83-20S-ENV SHEET 1 OF 1 Dwg. No. DRK83-20S-ENV REV. 1 | |
| DMC DANIELS MANUFACTURING CORP. ORLANDO, FLORIDA CAGE 11851 | | | |
| TITLE REMOVAL TOOL ENVELOPE DRAWING | | | |

DO NOT SCALE DRAWING