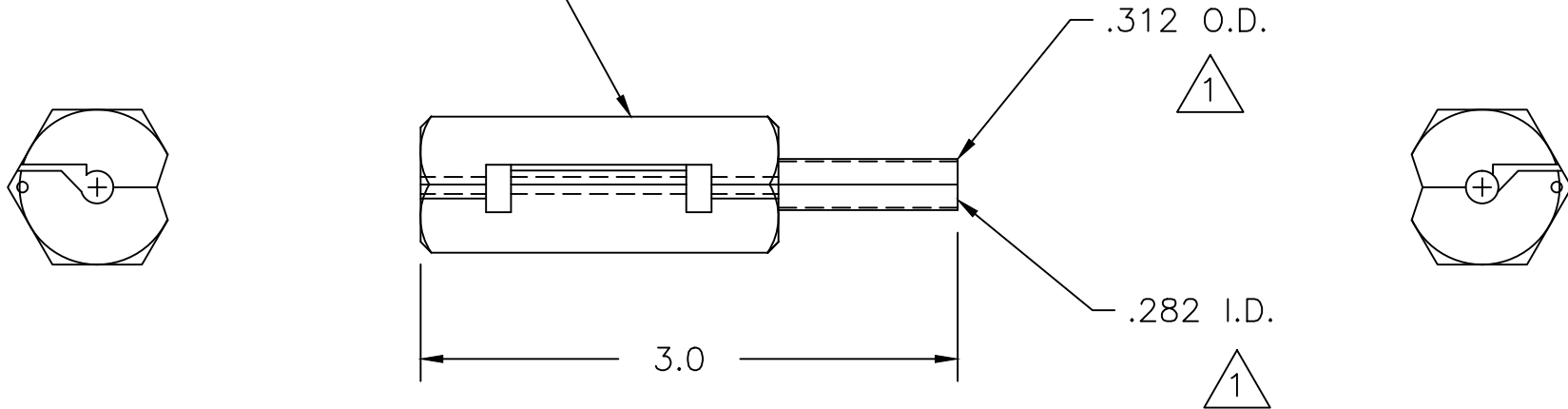



**UNCONTROLLED DOCUMENT  
WILL NOT BE UPDATED**

DANIELS MFG. CORP.  
ORLANDO, FL. USA  
CAGE 11851 DRK656

REVISIONS				
REV. SYM.	E.C.O. NUMBER	DESCRIPTION	BY DATE	APP'D DATE
1		ORIGINAL RELEASE	JWJ 12/14/05	RRR 12/14/05
2	21484	ADDED FRONT AND SIDE VIEWS	KDH 11/06/09	RRR 11/06/09
3	23584	UPDATED MARKING	ENF 11/13/14	RRR 11/13/14



**1.** DIMENSIONS APPLY WITH PROBES SQUEEZED TOGETHER.  
NOTES:

MATERIAL	ITEM	PART NO.	QTY.	DESCRIPTION/REMARKS
HEAT TREAT	DRN.	J. JOYCE	DATE	 DANIELS MANUFACTURING CORP. ORLANDO, FLORIDA CAGE 11851
	CHK'D.	RRR	DATE	
FINISH	APP'D.		DATE	TITLE <b>REMOVAL TOOL ENVELOPE DRAWING</b>
	APP'D.		DATE	
NOTE:				
THIS DRAWING IS AN OUTLINE DRAWING OF THE RESPECTIVE DMC PART NUMBER INDICATED. ACTUAL DMC PART NUMBER IS DRAWING NUMBER WITHOUT THE "-ENV" SUFFIX.				
WHERE USED:				
SIZE	SCALE	CAD P/N	SHEET OF	
A	NTS	DRK656-ENV	1 1	
POSTING		DWG. NO.	REV.	
		DRK656-ENV	3	

**RESTRICTED & CONFIDENTIAL**  
CONFIDENTIAL PROPERTY OF DANIELS MANUFACTURING CORP. NOT TO BE DISCLOSED TO OTHERS, REPRODUCED OR USED FOR ANY OTHER PURPOSE EXCEPT AS AUTHORIZED IN WRITING BY DANIELS MANUFACTURING. MUST BE RETURNED TO DANIELS MANUFACTURING CORP. ON COMPLETION OF ORDER OR OTHER PURPOSES FOR WHICH LENT.

DO NOT SCALE DRAWING