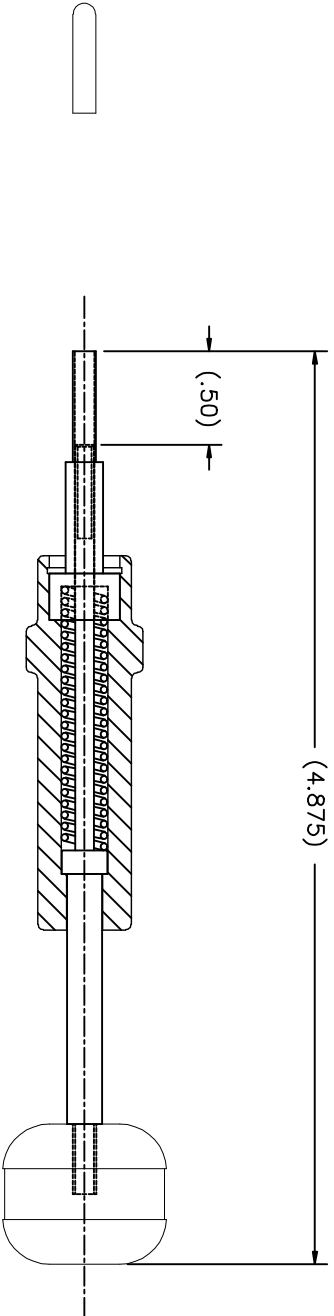


UNCONTROLLED DOCUMENT  
WILL NOT BE UPDATED

REVISIONS				
REV. SYM.	E.O.D. NUMBER	DESCRIPTION	BY DATE	APPD DATE
1		ORIGINAL RELEASE	DUNG CAO 8-9-95	



TOOL IDENTIFICATION  
DANIELS MFG. CORP.  
ORLANDO FL USA DRK554

RESTRICTED & CONFIDENTIAL		CONFERENTIAL PROPERTY OF DANIELS MANUFACTURING CORP. NOT TO BE DISCLOSED TO OTHERS, REPRODUCED OR USED FOR ANY OTHER PURPOSE, EXCEPT AS AUTHORIZED IN WRITING BY DANIELS MANUFACTURING. MUST BE RETURNED TO DANIELS MANUFACTURING UPON COMPLETION OF ORDER OR OTHER PURPOSE FOR WHICH LENT.	
MATERIAL	ITEM	PART NO.	QTY.
HEAT TREAT	DRN. DUNG CAO	DATE 8-9-95	DESCRIPTION/REMARKS DANIELS MANUFACTURING CORP. ORLANDO, FLORIDA CAGE 11851
FINISH	CHK'D.	DATE	TITLE ENVELOPE DRAWING REMOVAL TOOL
	APP'D.	DATE	WHERE USED: CAD P/N DRK554-ENV SHEET OF 1 OF 1
	APP'D.	DATE	POSTING P/N DRK554-ENV REV. 1
NOTE: THIS DRAWING IS AN OUTLINE DRAWING OF THE RESPECTIVE INDICATED CAD FILE. INDICATED PART NUMBER IS THE "ENV" SUFFIX.			