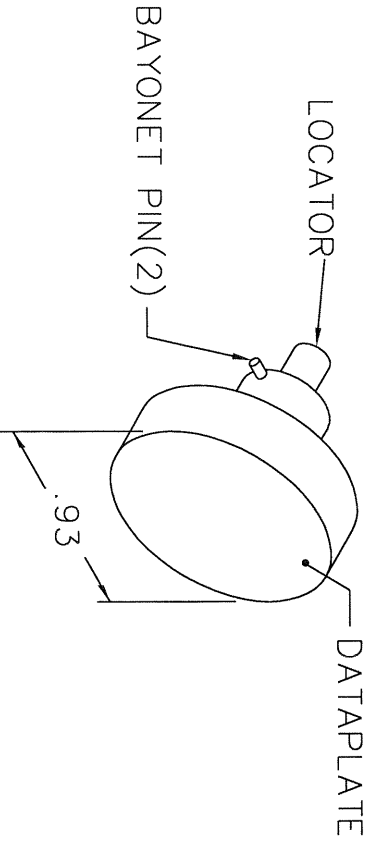
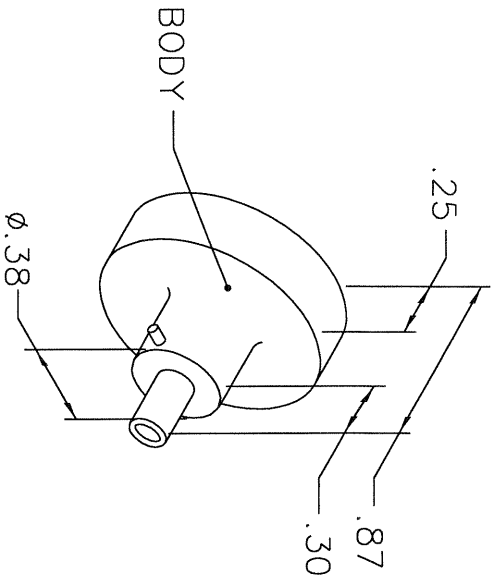


NOTE: FOR USE WITH DANIELS CRIMP TOOLS ACCOMMODATING "86" SERIES POSITIONERS



REVISIONS				
REV. SYM.	E.C.O. NUMBER	DESCRIPTION	BY DATE	APP'D DATE
1		ORIGINAL RELEASE	ED 6-30-94	DE 6-94

**UNCONTROLLED DOCUMENT
WILL NOT BE UPDATED**

Jupiter

PART NO: JBX 0 OUT LS09

WIRE SIZE	20	22	24
POS.	6	5	4

USE WITH CONTACT NO:
JBX 0 CT FC09
Ø0.9mm SOCKET
SIZE 0

LOCATOR	
HOLE DIMENSIONS	ADDITIONAL FEATURES
Ø.061	Ø.096
∓.463	∓.240

RESTRICTED & CONFIDENTIAL

CONFIDENTIAL PROPERTY OF DANIELS MANUFACTURING CORP. NOT TO BE DISCLOSED TO OTHERS, REPRODUCED OR USED FOR ANY OTHER PURPOSE, EXCEPT AS AUTHORIZED IN WRITING BY DANIELS MANUFACTURING. MUST BE RETURNED TO DANIELS MANUFACTURING CORP. ON COMPLETION OF ORDER OR OTHER PURPOSE FOR WHICH LENT.

DO NOT SCALE DRAWING

MATERIAL	ITEM	PART NO.	QTY.	DESCRIPTION/REMARKS
FINISH	DRN. E. DIAZ	DATE 6-30-94		
HEAT TREAT	CHK'D. DE	DATE 6-94		
	APP'D.	DATE		

NOTE: THIS DRAWING IS AN OUTLINE DRAWING OF THE RESPECTIVE DMC PART NUMBER INDICATED. ACTUAL DMC PART NUMBER IS DRAWING NUMBER WITHOUT THE "-ENV" SUFFIX.

WHERE USED:

SIZE	SCALE	CAD P/N	SHEET	OF
A	NTS	86-226-ENV	1	1

TITLE: ENVELOPE DRAWING POSITIONER

Daniel's Manufacturing Corp.
Orlando, Florida
CAGE 11851

DWG. NO. 86-226-ENV

REV. 1