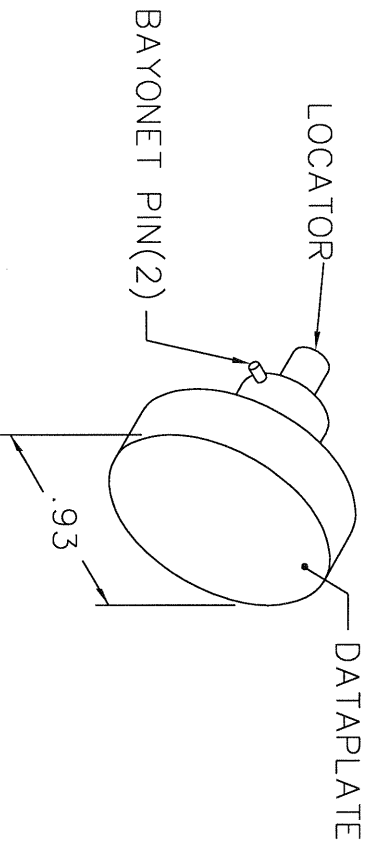
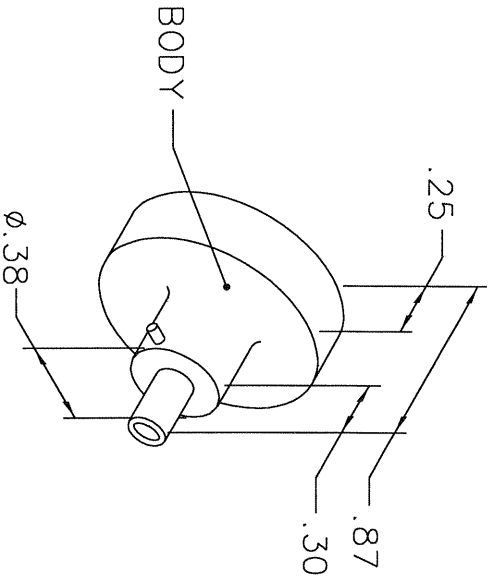


NOTE: FOR USE WITH DANIELS CRIMP TOOLS ACCOMMODATING "86" SERIES POSITIONERS



REVISIONS				
REV. SYM.	E.C.O. NUMBER	DESCRIPTION	BY DATE	APP'D DATE
1		ORIGINAL RELEASE	E.D. 6-30-94	DE 6-94

**UNCONTROLLED DOCUMENT
WILL NOT BE UPDATED**

Jupiter

PART NO: JBX 0 OUT LP09

WIRE SIZE	20	22	24
POS.	6	5	4

USE WITH CONTACT NO:
JBX 0 CT MC09
 $\phi 0.9mm$ PIN
SIZE 0

LOCATOR	
HOLE DIMENSIONS	ADDITIONAL FEATURES
$\phi .041$	$\phi .096$
$\mp .384$	$\mp .230$

RESTRICTED & CONFIDENTIAL

CONFIDENTIAL PROPERTY OF DANIELS MANUFACTURING CORP. NOT TO BE DISCLOSED TO OTHERS, REPRODUCED OR USED FOR ANY OTHER PURPOSE, EXCEPT AS AUTHORIZED IN WRITING BY DANIELS MANUFACTURING. MUST BE RETURNED TO DANIELS MANUFACTURING CORP. ON COMPLETION OF ORDER OR OTHER PURPOSE FOR WHICH LENT.

MATERIAL	
HEAT TREAT	
FINISH	

ITEM	PART NO.	QTY.	DESCRIPTION/REMARKS
DRN. E. DIAZ	DATE 6-30-94		
CHK'D. DE	DATE 6-94		
APP'D.	DATE		
APP'D.	DATE		

NOTE: THIS DRAWING IS AN OUTLINE DRAWING OF THE RESPECTIVE DMC PART NUMBER INDICATED. ACTUAL DMC PART NUMBER IS DRAWING NUMBER WITHOUT THE "-ENV" SUFFIX.

WHERE USED:

SIZE	SCALE	CAD P/N	SHEET	OF
A	NTS	86-225-ENV	1	1

TITLE: ENVELOPE DRAWING POSITIONER

DMC DANIELS MANUFACTURING CORP.
ORLANDO, FLORIDA
CAGE 11851

DO NOT SCALE DRAWING

REV. 1	DWG. NO. 86-225-ENV	REV. 1
--------	---------------------	--------