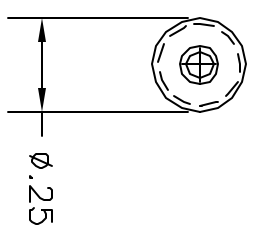
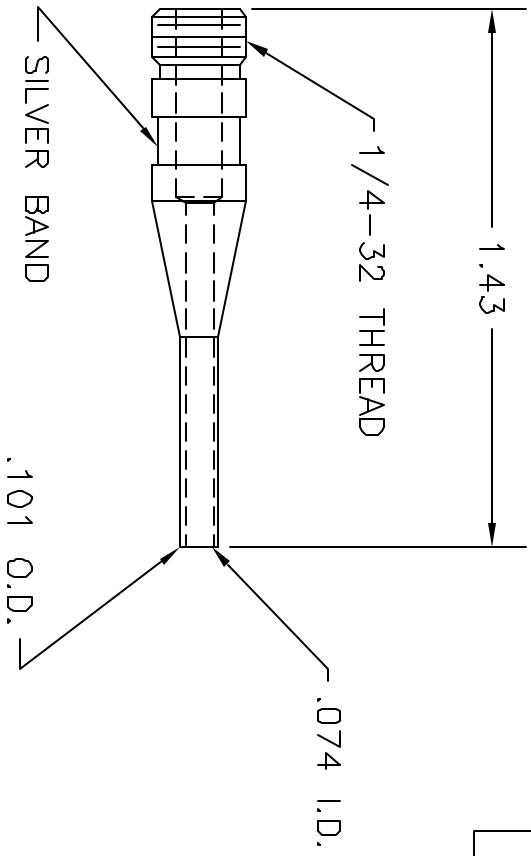


REVISIONS				
REV. SYM.	E.C.O. NUMBER	DESCRIPTION	BY DATE	APP'D DATE
1		ORIGINAL RELEASE	JMK 5/4/01	RRR 5/4/01

**UNCONTROLLED DOCUMENT
WILL NOT BE UPDATED**



1. COLOR = RED.

NOTES:

RESTRICTED & CONFIDENTIAL

CONFIDENTIAL PROPERTY OF DANIELS MANUFACTURING CORP. NOT TO BE DISCLOSED TO OTHERS, REPRODUCED OR USED FOR ANY OTHER PURPOSE, EXCEPT AS AUTHORIZED IN WRITING BY DANIELS MANUFACTURING. MUST BE RETURNED TO DANIELS MANUFACTURING CORP. ON COMPLETION OF ORDER OR OTHER PURPOSE FOR WHICH LENT.

MATERIAL		ITEM	PART NO.	QTY.	DESCRIPTION/REMARKS
HEAT TREAT		DRW. J. JOYCE	DATE 5/4/01	TITLE	DANIELS MANUFACTURING CORP. ORLANDO, FLORIDA CAGE 11851
		CHK'D RRR	DATE 5/4/01		
FINISH		APP'D.	DATE	WHERE USED:	PROBE #20
		APP'D.	DATE	(M81969/30-25 REV. B) ENVELOPE DRAWING	
DO NOT SCALE DRAWING		SIZE SCALE		GAD P/N	SHEET OF
		A NTS		DRK525B-ENV	1 1
		POSTING		P/N	REV.
				DRK525B-ENV	1