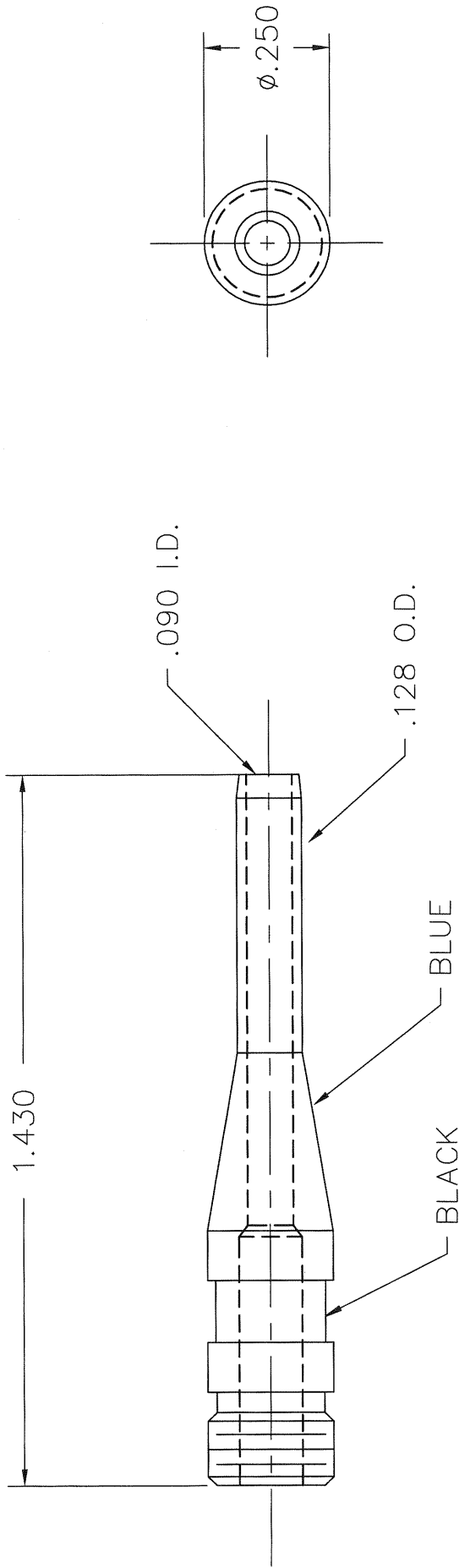


REVISIONS

| REV. SYM. | E.C.O. NUMBER | DESCRIPTION | BY DATE | APP'D DATE |
|-----------|---------------|------------------|---------------|------------|
| 1 | | ORIGINAL RELEASE | TD 4-17-08 | |

**UNCONTROLLED DOCUMENT
WILL NOT BE UPDATED**



| ITEM | PART NO. | QTY. | DESCRIPTION/REMARKS |
|---|----------------------|-------------|--|
| DRN. <i>Tony Dilworth</i> CHK'D. | DATE 4-17-08 DATE | | DMC DANIELS MANUFACTURING CORP. ORLANDO, FLORIDA CAGE 11851 |
| APP'D. | DATE | | TITLE PROBE (SIZE 16) ENVELOPE DRAWING (M81969/30-23 REV. B) |
| APP'D. | DATE | | WHERE USED: SIZE A NTS SCALE NTS POSTING |
| NOTE: THIS DRAWING IS AN OUTLINE DRAWING OF THE RESPECTIVE DMC PART NUMBER INDICATED. ACTUAL DMC PART NUMBER IS DRAWING NUMBER WITHOUT THE "-ENV" SUFFIX. | | CAD P/N | SHEET OF |
| MATERIAL | | DRK523B-ENV | 1 1 |
| HEAT TREAT | | | |
| FINISH | | DRK523B-ENV | 1 1 |
| <p>RESTRICTED & CONFIDENTIAL</p> <p>CONFIDENTIAL PROPERTY OF DANIELS MANUFACTURING CORP. NOT TO BE DISCLOSED TO OTHERS, REPRODUCED OR USED FOR ANY OTHER PURPOSE EXCEPT AS AUTHORIZED IN WRITING BY DANIELS MANUFACTURING. MUST BE RETURNED TO DANIELS MANUFACTURING CORP. ON COMPLETION OF ORDER OR OTHER PURPOSES FOR WHICH LENT.</p> <p>DO NOT SCALE DRAWING</p> | | | |
| DWG. NO. | | | REV. |
| DRK523B-ENV | | | 1 |