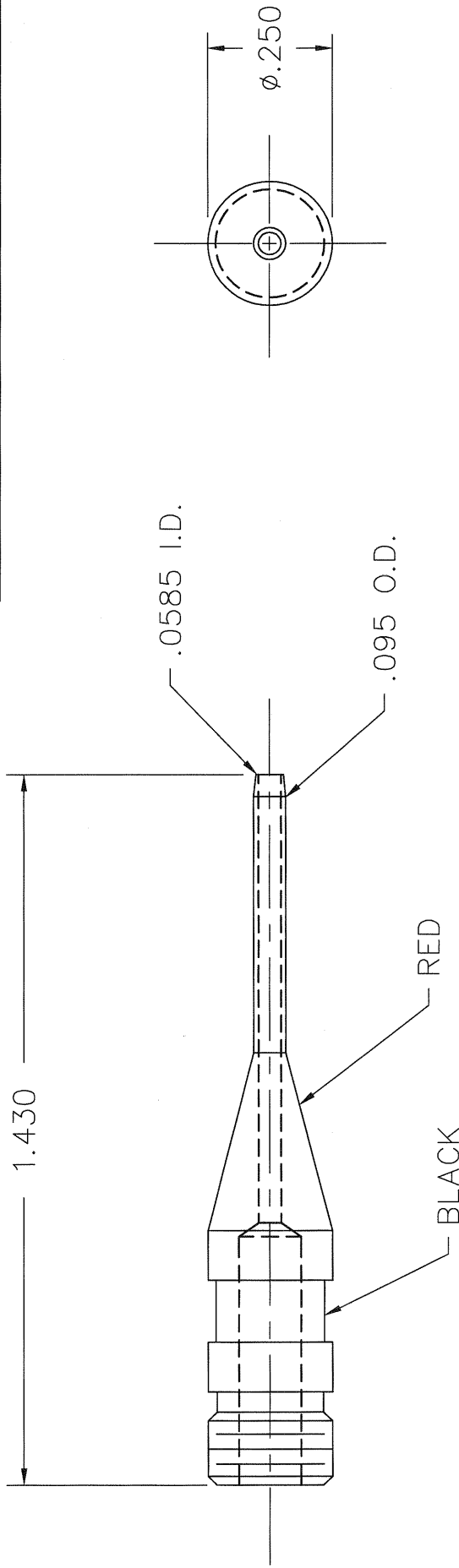


REVISIONS

REV. SYM.	E.C.O. NUMBER	DESCRIPTION	BY DATE	APP'D DATE
1		ORIGINAL RELEASE	TD 4-17-08	

**UNCONTROLLED DOCUMENT
WILL NOT BE UPDATED**



ITEM	PART NO.	QTY.	DESCRIPTION/REMARKS
DRN. <i>Jerry Dilworth</i> CHK'D.	DATE 4-17-08 DATE		DMC DANIELS MANUFACTURING CORP. ORLANDO, FLORIDA CAGE 11851
APP'D.	DATE		TITLE PROBE (SIZE 20) ENVELOPE DRAWING (M81969/30-22 REV. B)
APP'D.	DATE		WHERE USED: SIZE A NTS SCALE DRK522B-ENV POSTING DWG. NO. DRK522B-ENV
MATERIAL	NOTE: THIS DRAWING IS AN OUTLINE DRAWING OF THE RESPECTIVE DMC PART NUMBER INDICATED. ACTUAL DMC PART NUMBER IS DRAWING NUMBER WITHOUT THE "-ENV" SUFFIX.		
HEAT TREAT	RESTRICTED & CONFIDENTIAL CONFIDENTIAL PROPERTY OF DANIELS MANUFACTURING CORP. NOT TO BE DISCLOSED TO OTHERS, REPRODUCED OR USED FOR ANY OTHER PURPOSE EXCEPT AS AUTHORIZED IN WRITING BY DANIELS MANUFACTURING. MUST BE RETURNED TO DANIELS MANUFACTURING CORP. ON COMPLETION OF ORDER OR OTHER PURPOSES FOR WHICH LENT.		
FINISH	DO NOT SCALE DRAWING		
			SHEET OF 1 1 REV. 1