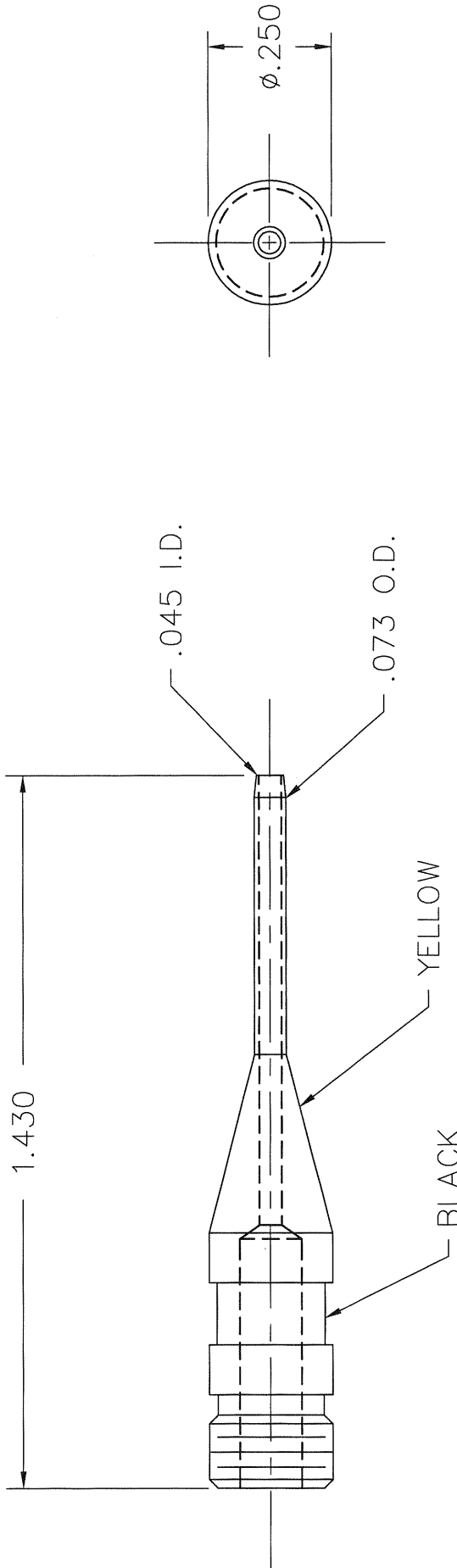


REVISIONS

REV. SYM.	E.C.O. NUMBER	DESCRIPTION	BY DATE	APP'D DATE
1		ORIGINAL RELEASE	TD 4-17-08	

**UNCONTROLLED DOCUMENT
WILL NOT BE UPDATED**



MATERIAL	ITEM	PART NO.	QTY.	DESCRIPTION/REMARKS
	DRN. <i>Tony Dilworth</i> CHK'D.	DATE 4-17-08 DATE		DMC DANIELS MANUFACTURING CORP. ORLANDO, FLORIDA CAGE 11851
HEAT TREAT	APP'D.	DATE		TITLE PROBE (SIZE 22) ENVELOPE DRAWING (M81969/30-21 REV. B)
FINISH	NOTE: THIS DRAWING IS AN OUTLINE DRAWING OF THE RESPECTIVE DMC PART NUMBER INDICATED. ACTUAL DMC PART NUMBER IS DRAWING NUMBER WITHOUT THE "-ENV" SUFFIX.	WHERE USED: SIZE A SCALE NTS POSTING	CAD P/N DRK521B-ENV	SHEET OF 1 1
RESTRICTED & CONFIDENTIAL CONFIDENTIAL PROPERTY OF DANIELS MANUFACTURING CORP. NOT TO BE DISCLOSED TO OTHERS, REPRODUCED OR USED FOR ANY OTHER PURPOSE EXCEPT AS AUTHORIZED IN WRITING BY DANIELS MANUFACTURING. MUST BE RETURNED TO DANIELS MANUFACTURING CORP. ON COMPLETION OF ORDER OR OTHER PURPOSES FOR WHICH LENT. DO NOT SCALE DRAWING				
			DWG. NO. DRK521B-ENV	REV. 1