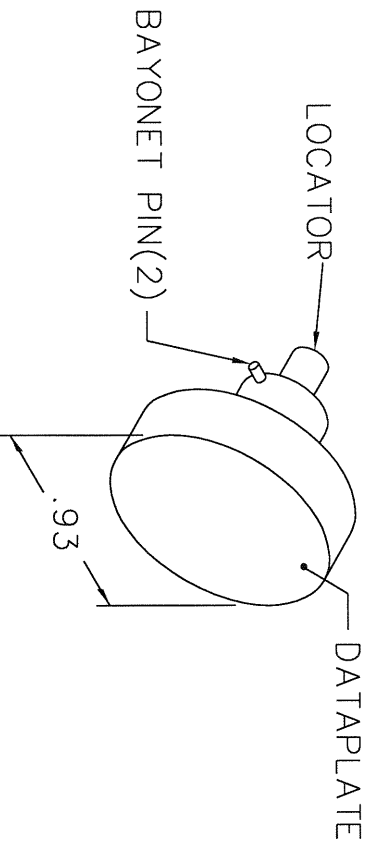
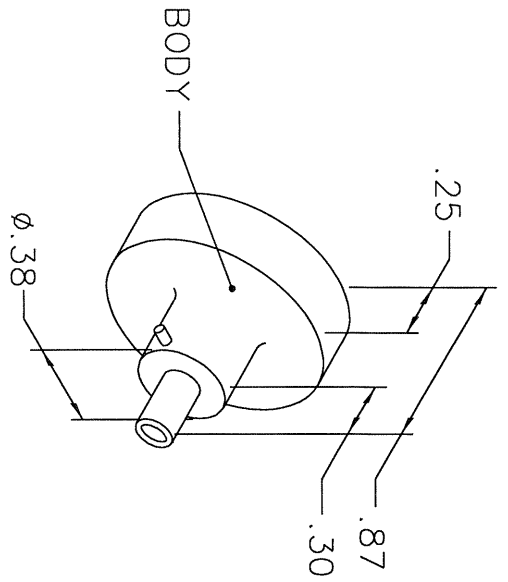


NOTE: FOR USE WITH DANIELS CRIMP TOOLS ACCOMMODATING "86" SERIES POSITIONERS



REV.		E.C.O. NUMBER	DESCRIPTION	BY DATE	APP'D DATE
1			ORIGINAL RELEASE	6-30-94	6-94

**UNCONTROLLED DOCUMENT
WILL NOT BE UPDATED**

Jupiter

PART NO: JBX 0 OUT LS07

WIRE SIZE	22	24	26
POS.	6	5	5

USE WITH CONTACT NO:
JBX 0 CT FC07
Ø0.7mm SOCKET
SIZE 0

LOCATOR	
HOLE DIMENSIONS	ADDITIONAL FEATURES
Ø.052	Ø.082
▽.456	▽.240

RESTRICTED & CONFIDENTIAL					
CONFIDENTIAL PROPERTY OF DANIELS MANUFACTURING CORP. NOT TO BE DISCLOSED TO OTHERS, REPRODUCED OR USED FOR ANY OTHER PURPOSE, EXCEPT AS AUTHORIZED IN WRITING BY DANIELS MANUFACTURING. MUST BE RETURNED TO DANIELS MANUFACTURING CORP. ON COMPLETION OF ORDER OR OTHER PURPOSE FOR WHICH LENT.					
MATERIAL	ITEM	PART NO.	QTY.	DESCRIPTION/REMARKS	
	DRN.	DATE			
HEAT TREAT	CHK'D.	DATE			
	APP'D.	DATE			
FINISH	APP'D.	DATE			
	NOTE: THIS DRAWING IS AN OUTLINE DRAWING OF THE RESPECTIVE DMG PART NUMBER INDICATED. ACTUAL DMG PART NUMBER IS DRAWING NUMBER WITHOUT THE "-ENV" SUFFIX.				
WHERE USED:					
TITLE		ENVELOPE DRAWING POSITIONER			
		DANIELS MANUFACTURING CORP. ORLANDO, FLORIDA CAGE 11851			
SIZE SCALE		CAD P/N		SHEET	
A NTS		86-224-ENV		1 OF 1	
POSTING		DWG. NO.		REV.	
86-224-ENV		86-224-ENV		1	

DO NOT SCALE DRAWING