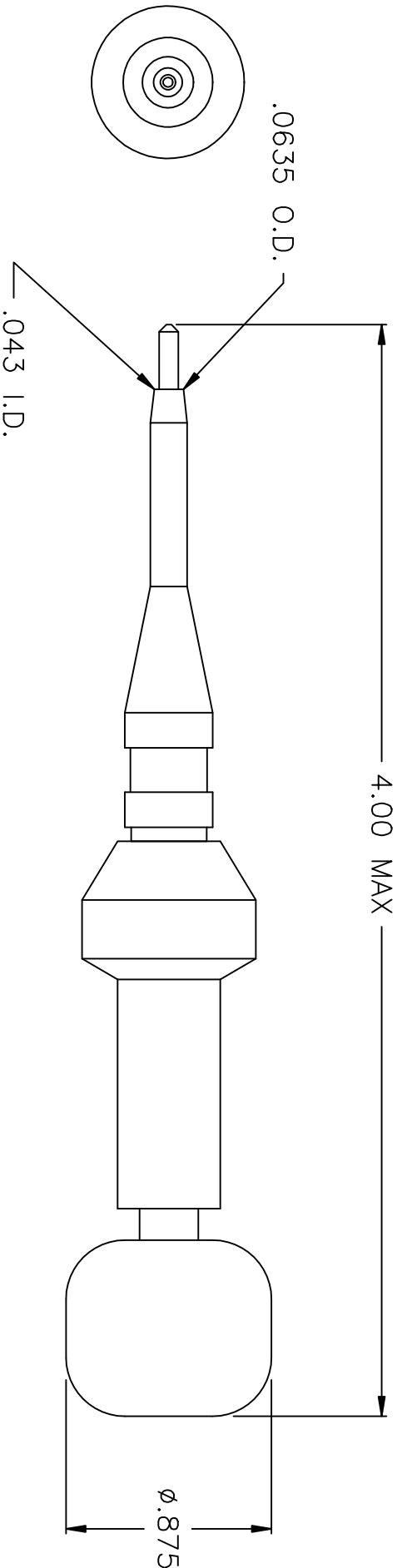


REVISIONS				
REV. SYM.	E.C.O. NUMBER	DESCRIPTION	BY DATE	APP'D DATE
1		ORIGINAL RELEASE	TD 4-17-08	
2	21484	ADDED FRONT VIEW	KDH 11/06/09	RRR 11/06/09



**UNCONTROLLED DOCUMENT
WILL NOT BE UPDATED**

RESTRICTED & CONFIDENTIAL
 CONFIDENTIAL PROPERTY OF DANIELS MANUFACTURING CORP. NOT TO BE DISCLOSED TO OTHERS, REPRODUCED OR USED FOR ANY OTHER PURPOSE EXCEPT AS AUTHORIZED IN WRITING BY DANIELS MANUFACTURING. MUST BE RETURNED TO DANIELS MANUFACTURING CORP. ON COMPLETION OF ORDER OR OTHER PURPOSES FOR WHICH LENT.

MATERIAL		ITEM		PART NO.		QTY.		DESCRIPTION/REMARKS	
HEAT TREAT		DRN. <i>Gary Silversmith</i>		DATE 4-17-08		DATE		TITLE	
FINISH		CHK'D.		DATE		DATE		REMOVAL TOOL #22M ENVELOPE DRAWING (M81969/30-09 REV. B)	
		APP'D.		DATE		DATE		WHERE USED:	
		APP'D.		DATE		DATE		SIZE SCALE CAD P/N SHEET OF	
		NOTE: THIS DRAWING IS AN OUTLINE DRAWING OF THE RESPECTIVE DMC PART NUMBER INDICATED. ACTUAL DMC PART NUMBER IS DRAWING NUMBER WITHOUT THE "-ENV" SUFFIX.		A		NTS		DRK509B-ENV 1 1	
DO NOT SCALE DRAWING				POSTING		DWG. NO.		DRK509B-ENV 2 2	

DMC DANIELS MANUFACTURING CORP.
ORLANDO, FLORIDA
CAGE 11851