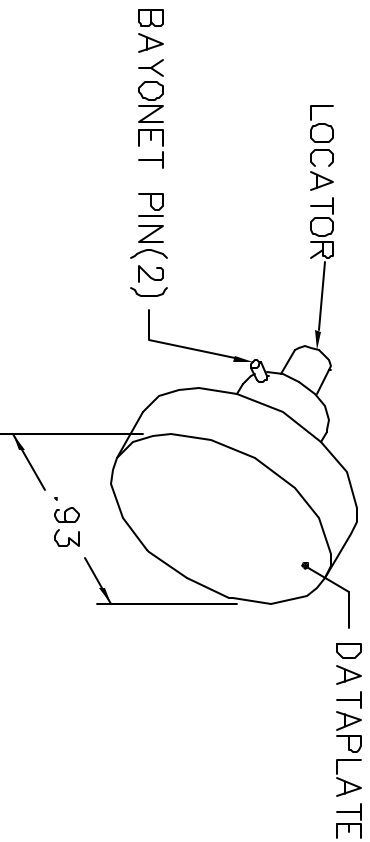
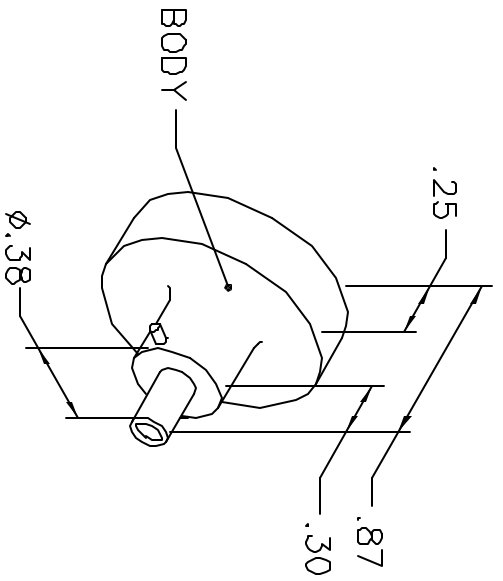



NOTE: FOR USE WITH DANIELS CRIMP TOOLS ACCOMMODATING "86" SERIES POSITIONERS



REVISIONS				
REV. SYM.	E.C.O. NUMBER	DESCRIPTION	BY DATE	APP'D DATE
2		REVISED POS INSERT	1-13-03 AAM	1-13-03 RRR

**UNCONTROLLED DOCUMENT
WILL NOT BE UPDATED**



Jupiter

PART NO: JBX 0 OUT LP07

WIRE SIZE	22	24	26
POS.	6	5	5

USE WITH CONTACT NO:
JBX 0 CT MC07
 $\phi 0.7\text{mm}$ PIN, SIZE 0

HOLE DIA.	REMARKS
$\phi .031$	$\nabla .377$
$\phi .076$	$\nabla .20$

RESTRICTED & CONFIDENTIAL

CONFIDENTIAL PROPERTY OF DANIELS MANUFACTURING CORP. NOT TO BE DISCLOSED TO OTHERS, REPRODUCED OR USED FOR ANY OTHER PURPOSE, EXCEPT AS AUTHORIZED IN WRITING BY DANIELS MANUFACTURING. MUST BE RETURNED TO DANIELS MANUFACTURING CORP. ON COMPLETION OF ORDER OR OTHER PURPOSE FOR WHICH LENT.

MATERIAL	
HEAT TREAT	
FINISH	

ITEM	PART NO.	QTY.	DESCRIPTION/REMARKS
DRAWN	E. DIAZ	DATE	5-30-94
CHK'D	DE	DATE	6-9-94
APP'D		DATE	
APP'D		DATE	

DANIELS MANUFACTURING CORP.
ORLANDO, FLORIDA
CAGE 11851

DMC

TITLE: ENVELOPE DRAWING POSITIONER

WHERE USED: MH86D

SIZE	SCALE	CAD P/N	SHEET	OF
A	NTS	86-223-ENV	1	1

DO NOT SCALE DRAWING

POSTING	P/N	REV.
	86-223-ENV	2