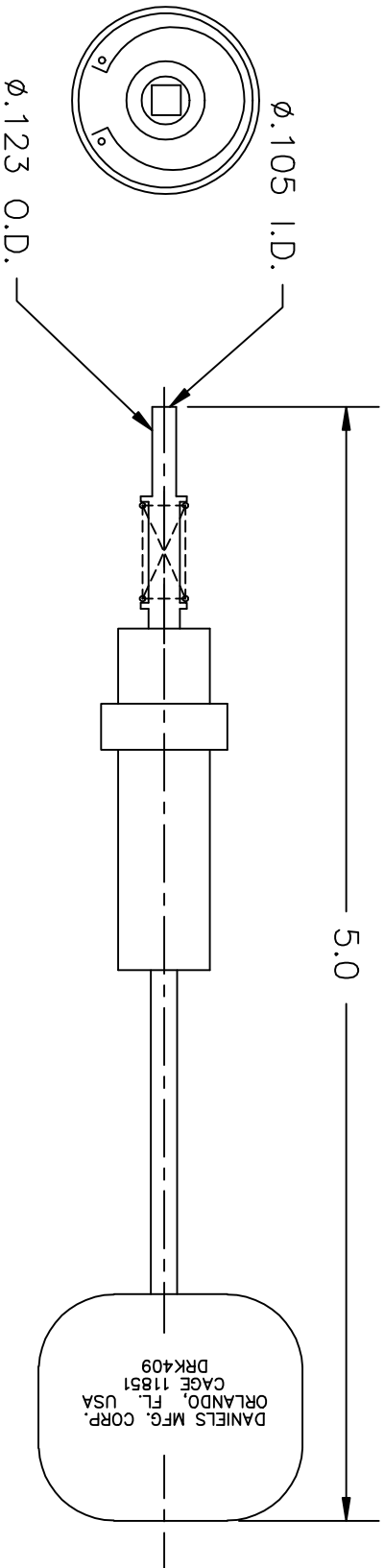


| REVISIONS |               |                  |              |              |
|-----------|---------------|------------------|--------------|--------------|
| REV. SYM. | E.C.O. NUMBER | DESCRIPTION      | BY DATE      | APP'D DATE   |
| 1         |               | ORIGINAL RELEASE | JWJ 11/12/99 | RRR 11/12/99 |
| 2         | 21484         | ADDED FRONT VIEW | KDH 11/05/09 | RRR 11/05/09 |



**UNCONTROLLED DOCUMENT  
WILL NOT BE UPDATED**

**RESTRICTED & CONFIDENTIAL**

CONFIDENTIAL PROPERTY OF DANIELS MANUFACTURING CORP. NOT TO BE DISCLOSED TO OTHERS, REPRODUCED OR USED FOR ANY OTHER PURPOSE, EXCEPT AS AUTHORIZED IN WRITING BY DANIELS MANUFACTURING. MUST BE RETURNED TO DANIELS MANUFACTURING CORP. ON COMPLETION OF ORDER OR OTHER PURPOSE FOR WHICH LENT.

MATERIAL

HEAT TREAT

FINISH

ITEM PART NO. DATE

DRN: J. JOYCE 11/12/99  
CHK'D: RRR 11/12/99  
APP'D: DATE

NOTE:

THIS DRAWING IS AN OUTLINE DRAWING OF THE RESPECTIVE DMC PART NUMBER INDICATED. ACTUAL DMC PART NUMBER IS DRAWING NUMBER WITHOUT THE "-ENV" SUFFIX.

QTY.

DESCRIPTION/REMARKS



DANIELS MANUFACTURING CORP.  
ORLANDO, FLORIDA  
CAGE 11851

TITLE  
REMOVAL TOOL  
ENVELOPE DRAWING

WHERE USED:

| SIZE | SCALE | CAD P/N    | SHEET | OF |
|------|-------|------------|-------|----|
| A    | NTS   | DRK409-ENV | 1     | 1  |

| POSTING | DMG. NO.   | REV. |
|---------|------------|------|
|         | DRK409-ENV | 2    |

DO NOT SCALE DRAWING