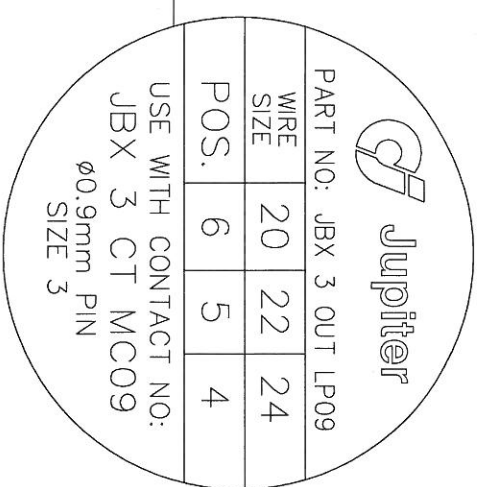
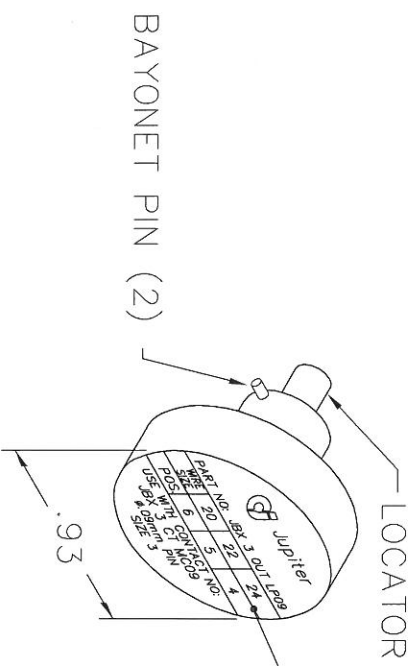
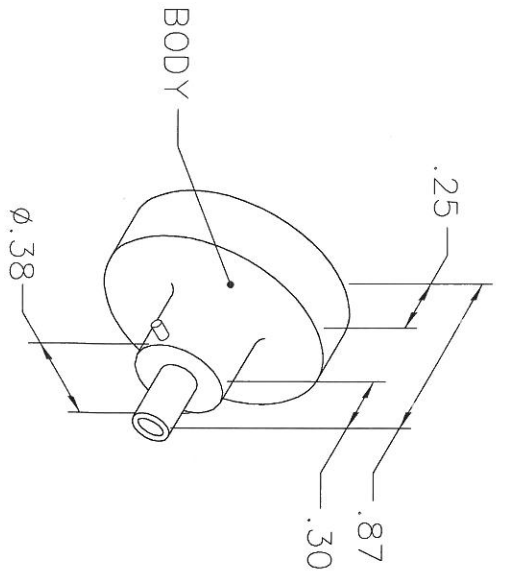


REVISIONS				
REV. SYM.	E.C.O. NUMBER	DESCRIPTION	BY DATE	APP'D DATE
1		ORIGINAL RELEASE	JWJ 5/4/03	RRR 5/4/03
2		LP09 WAS LP07	TonyD 10/5/16	

**UNCONTROLLED DOCUMENT  
WILL NOT BE UPDATED**

DIMENSIONS IN INCHES - UNLESS OTHERWISE SPECIFIED




NOTE: FOR USE WITH DANIELS CRIMP TOOL MH860.

LOCATOR	ADDITIONAL FEATURES
HOLE DIMENSIONS	□ $\phi$ .096
	$\nabla$ .579
	$\nabla$ .32

**RESTRICTED & CONFIDENTIAL**

CONFIDENTIAL PROPERTY OF DANIELS MANUFACTURING CORP. NOT TO BE DISCLOSED TO OTHERS, REPRODUCED OR USED FOR ANY OTHER PURPOSE, EXCEPT AS AUTHORIZED IN WRITING BY DANIELS MANUFACTURING. MUST BE RETURNED TO DANIELS MANUFACTURING CORP. ON COMPLETION OF ORDER OR OTHER PURPOSE FOR WHICH LENT.

DO NOT SCALE DRAWING

DRN. J. JOYCE	DATE 5/4/03	 DANIELS MANUFACTURING CORP. ORLANDO, FLORIDA CAGE 11851
CHK'D. RRR	DATE 5/4/03	
APP'D.	DATE	
APP'D.	DATE	TITLE POSITIONER ENVELOPE DRAWING
NOTE: THIS DRAWING IS AN OUTLINE DRAWING OF THE RESPECTIVE DMC PART NUMBER INDICATED. ACTUAL DMC PART NUMBER IS DRAWING NUMBER WITHOUT THE "-ENV" SUFFIX.		WHERE USED: MH860 CAD P/N 86-218-ENV SHEET 1 OF 1
DO NOT SCALE DRAWING		DWG. NO. 86-218-ENV REV. 2