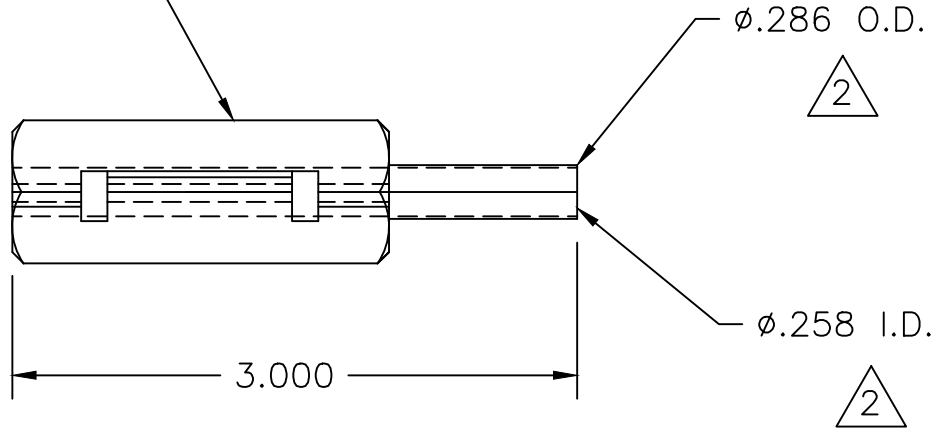
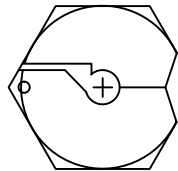


**UNCONTROLLED DOCUMENT
WILL NOT BE UPDATED**

"DANIELS MFG. CORP."
"ORLANDO, FL. USA "
"CAGE 11851 DRK310"



REVISIONS				
REV. SYM.	E.C.O. NUMBER	DESCRIPTION	BY DATE	APP'D DATE
1		ORIGINAL RELEASE	DH 12/7/87	JS 12/87
2	21484	ADDED FRONT AND SIDE VIEWS AND REVISED PICTORALLY	KDH 11/05/09	RRR 11/05/09
3	23584	REVISED MARKING	ENF 11/13/14	RRR 11/13/14


- 2.** DIMENSIONS APPLY WITH PROBES SQUEEZED TOGETHER.
- FUNCTIONAL EQUIVALENT AMP 91074-1.

NOTES:

RESTRICTED & CONFIDENTIAL

CONFIDENTIAL PROPERTY OF DANIELS MANUFACTURING CORP. NOT TO BE DISCLOSED TO OTHERS, REPRODUCED OR USED FOR ANY OTHER PURPOSE EXCEPT AS AUTHORIZED IN WRITING BY DANIELS MANUFACTURING. MUST BE RETURNED TO DANIELS MANUFACTURING CORP. ON COMPLETION OF ORDER OR OTHER PURPOSES FOR WHICH LENT.

DO NOT SCALE DRAWING

MATERIAL	ITEM	PART NO.	QTY.	DESCRIPTION/REMARKS
	DRN.	DH	DATE 12/7/87	 DANIELS MANUFACTURING CORP. ORLANDO, FLORIDA CAGE 11851
	CHK'D.	JS	DATE 12/8/87	
HEAT TREAT	APP'D.	AAM	DATE 12/8/87	TITLE REMOVAL TOOL ENVELOPE DRAWING
	APP'D.		DATE	
FINISH	NOTE:			WHERE USED: SIZE SCALE CAD P/N SHEET OF A FULL DRK310-ENV 1 1
	THIS DRAWING IS AN OUTLINE DRAWING OF THE RESPECTIVE DMC PART NUMBER INDICATED. ACTUAL DMC PART NUMBER IS DRAWING NUMBER WITHOUT THE "-ENV" SUFFIX.			
	POSTING			REV. 3