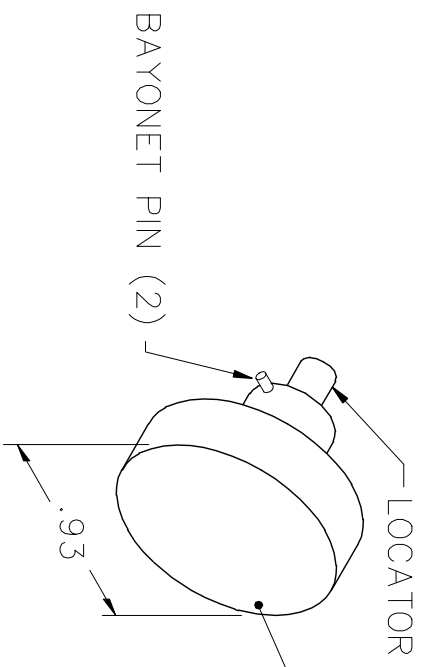
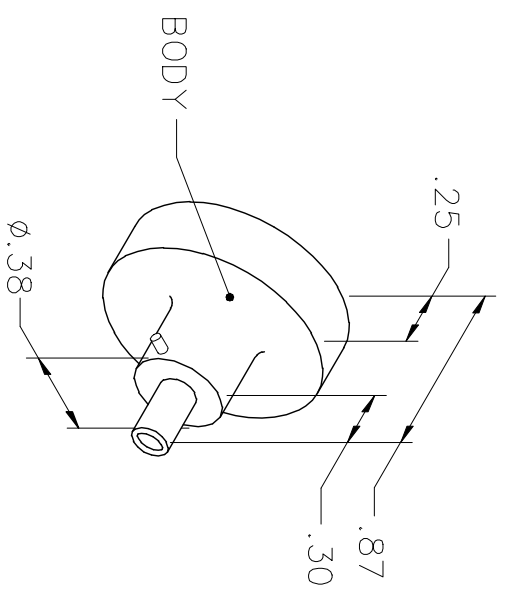


REVISIONS			
REV. SYM.	E.C.O. NUMBER	DESCRIPTION	BY DATE
2		DATAPLATE INFORMATION CHANGED	TD 2-14-09

**UNCONTROLLED DOCUMENT  
WILL NOT BE UPDATED**



USE WITH CONTACTS					
EGG.2B.655.ZZM					
WIRE	22	24	26	SIZE	
SEL	6	5	5	POS.	
EGG.2B.656.ZZM					
WIRE	28	30	32	SIZE	
SEL	4	3	3	POS.	
DCE.91.072.BVM					
LEMO					

NOTE: FOR USE WITH DANIELS CRIMP TOOLS  
ACCOMMODATING "86" SERIES POSITIONERS

LOCATOR	
HOLE DIMENSIONS	ADDITIONAL FEATURES
$\phi .049$ $\nabla .633$	$\perp \phi .065$ $\nabla .19$

**RESTRICTED & CONFIDENTIAL**

CONFIDENTIAL PROPERTY OF DANIELS MANUFACTURING CORP. NOT TO BE DISCLOSED TO OTHERS, REPRODUCED OR USED FOR ANY OTHER PURPOSE, EXCEPT AS AUTHORIZED IN WRITING BY DANIELS MANUFACTURING. MUST BE RETURNED TO DANIELS MANUFACTURING CORP. ON COMPLETION OF ORDER OR OTHER PURPOSE FOR WHICH LENT.

DO NOT SCALE DRAWING

DRN. J. JOYCE	DATE 7/5/06	TITLE		WHERE USED: MH860	CAD P/N	SHEET	OF
CHK'D. RRR	DATE 7/5/06	<b>DANIELS MANUFACTURING CORP.</b> ORLANDO, FLORIDA CAGE 11851		ENVELOPE DRAWING POSITIONER	86-209-ENV	1	1
APP'D.	DATE					REV.	
APP'D.	DATE	NOTE: THIS DRAWING IS AN OUTLINE DRAWING OF THE RESPECTIVE DMG PART NUMBER INDICATED. ACTUAL DMG PART NUMBER IS DRAWING NUMBER WITHOUT THE "-ENV" SUFFIX.		86-209-ENV	2		