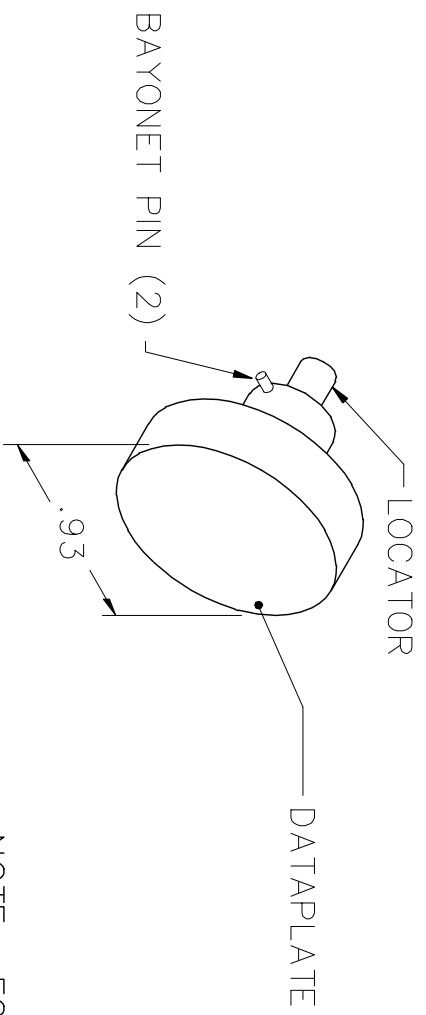
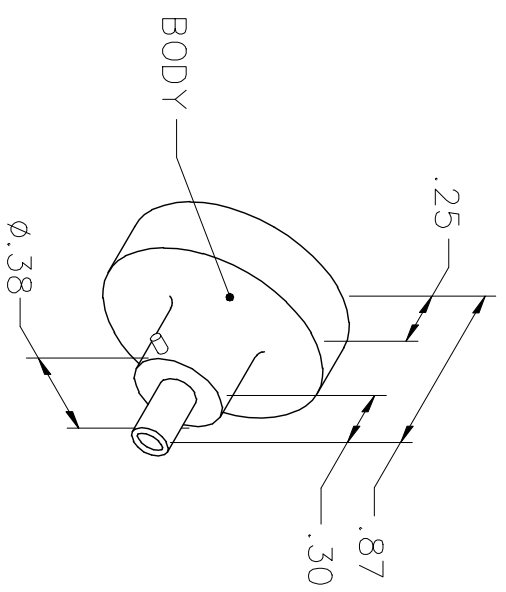


REVISIONS			
REV. SYM.	E.C.O. NUMBER	DESCRIPTION	BY DATE
2		DATAPLATE INFORMATION CHANGED	TD 2-14-09

**UNCONTROLLED DOCUMENT
WILL NOT BE UPDATED**



USE WITH CONTACTS

FGG.2B.555.ZZC			
WIRE	22	24	26
SEL	6	5	5
FGG.2B.556.ZZC			
WIRE	28	30	32
SEL	4	3	3
DCE.91.072.BVC			
LEMO			

NOTE: FOR USE WITH DANIELS CRIMP TOOLS
ACCOMMODATING "86" SERIES POSITIONERS

LOCATOR	
HOLE DIMENSIONS	ADDITIONAL FEATURES
∅.032 ∓.497	┌┐ ∅.065 ∓.29

RESTRICTED & CONFIDENTIAL

CONFIDENTIAL PROPERTY OF DANIELS MANUFACTURING CORP. NOT TO BE DISCLOSED TO OTHERS, REPRODUCED OR USED FOR ANY OTHER PURPOSE, EXCEPT AS AUTHORIZED IN WRITING BY DANIELS MANUFACTURING. MUST BE RETURNED TO DANIELS MANUFACTURING CORP. ON COMPLETION OF ORDER OR OTHER PURPOSE FOR WHICH LENT.

DO NOT SCALE DRAWING

DRN. J. JOYCE	DATE 7/6/06	TITLE	
CHK'D. RRR	DATE 7/6/06	ENVELOPE DRAWING POSITIONER	
APP'D.	DATE	WHERE USED: MH860	
APP'D.	DATE	CAD P/N 86-208-ENV	
NOTE: THIS DRAWING IS AN OUTLINE DRAWING OF THE RESPECTIVE DMG PART NUMBER INDICATED. ACTUAL DMG PART NUMBER IS DRAWING NUMBER WITHOUT THE "-ENV" SUFFIX.		POSTING	REV. 2
		DWG. NO. 86-208-ENV	SHEET 1 OF 1



DANIELS MANUFACTURING CORP.
ORLANDO, FLORIDA
CAGE 11851