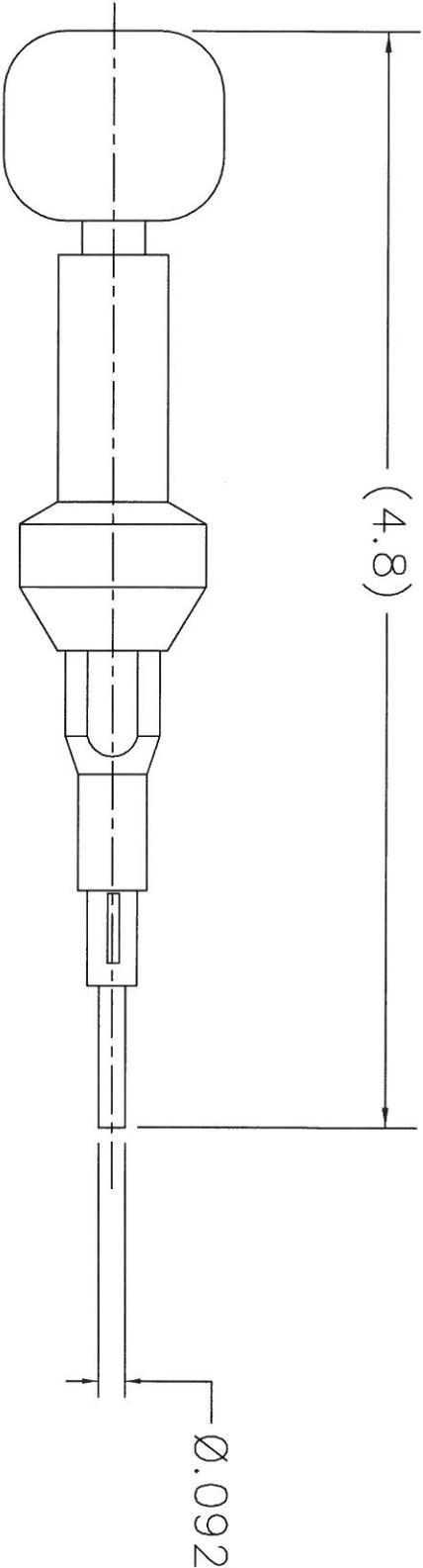


REVISIONS			
REV. NUMBER	E.C.O. NUMBER	DESCRIPTION	BY DATE
1		ORIGINAL RELEASE	MF 3/5/13

**UNCONTROLLED DOCUMENT
WILL NOT BE UPDATED**

ALL DIMENSIONS ARE IN INCHES UNLESS OTHERWISE SPECIFIED



RESTRICTED & CONFIDENTIAL		CONFIDENTIAL PROPERTY OF DANIELS MANUFACTURING CORP. NOT TO BE REPRODUCED, COPIED, EITHER WHOLLY OR USED FOR ANY OTHER PURPOSE EXCEPT AS AUTHORIZED IN WRITING BY DANIELS MANUFACTURING. MUST BE RETURNED TO DANIELS MANUFACTURING CORP. ON COMPLETION OF ORDER OR OTHER PURPOSE FOR WHICH LENT.	
MATERIAL		HEAT TREAT	
FINISH			

DO NOT SCALE DRAWING

ITEM	PART NO.	QTY.	DESCRIPTION/REMARKS
DRN. M/F	DATE		
CHK'D.	DATE		
APP'D.	DATE		
APP'D.	DATE		

NOTE: THIS DRAWING IS AN OUTLINE DRAWING OF THE RESPECTIVE INDICATED ACTUAL DIMC PART NUMBER. DIMC PART NUMBER WITHOUT THE "-ENV" SUFFIX.

WHERE USED:

SIZE	SCALE	CAD P/N	SHEET
B	NTS	DRK276-16-ENV	1/1
POSTING		P/N	REV.
		DRK276-16-ENV	1

PMO
DANIELS MANUFACTURING CORP.
ORLANDO, FLORIDA
CAGE 11851

TITLE
REMOVAL TOOL
ENVELOPE DRAWING