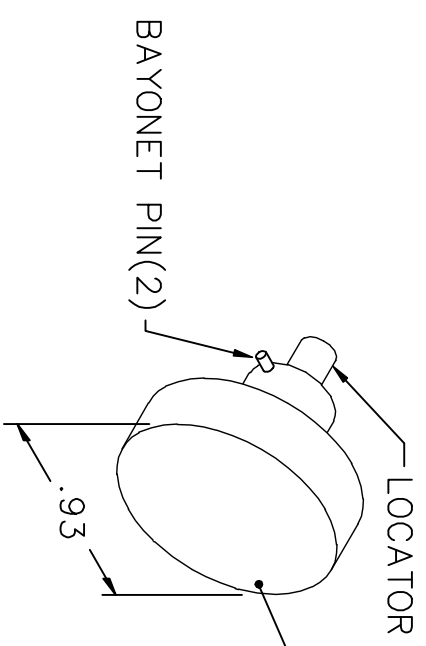
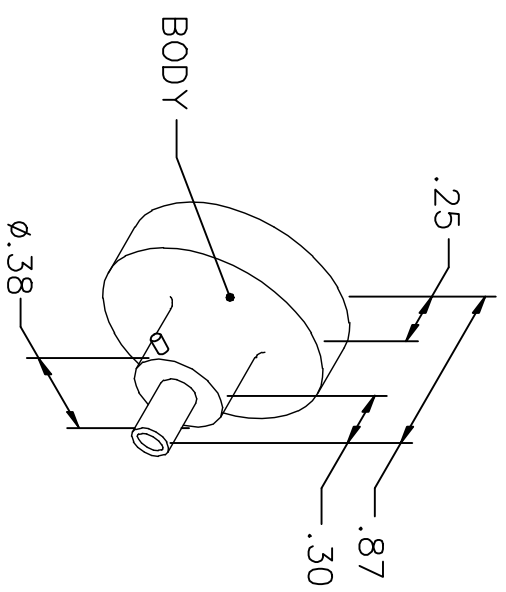
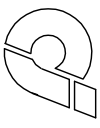


REVISIONS				
REV. SYM.	E.C.O. NUMBER	DESCRIPTION	BY DATE	APP'D DATE
1		ORIGINAL RELEASE	TD 9-22-09	





# Jupiter

PART NO: JBX 2 OUT LS13

WIRE SIZE	18	20	22
POS.	8	7	7

USE WITH CONTACT NO:  
JBX 2 CT FC13  
 $\phi 1.3\text{mm}$  SOCKET, SIZE 2

NOTE: FOR USE WITH DANIELS CRIMP TOOLS ACCOMMODATING "86" SERIES POSITIONERS

LOCATOR	
HOLE DIMENSIONS	ADDITIONAL FEATURES
$\phi .078$ $\nabla .642$	$\perp \phi .114$ $\nabla .26$

**RESTRICTED & CONFIDENTIAL**

CONFIDENTIAL PROPERTY OF DANIELS MANUFACTURING CORP. NOT TO BE DISCLOSED TO OTHERS, REPRODUCED OR USED FOR ANY OTHER PURPOSE, EXCEPT AS AUTHORIZED IN WRITING BY DANIELS MANUFACTURING. MUST BE RETURNED TO DANIELS MANUFACTURING CORP. ON COMPLETION OF ORDER OR OTHER PURPOSE FOR WHICH LENT.

DO NOT SCALE DRAWING

DRN. CHK'D.	DATE	DRN. CHK'D.	DATE
<i>Jenny Sitworth</i>	9-22-09		
APP'D.	DATE	APP'D.	DATE

NOTE: THIS DRAWING IS AN OUTLINE DRAWING OF THE RESPECTIVE DMG PART NUMBER INDICATED. ACTUAL DMG PART NUMBER IS DRAWING NUMBER WITHOUT THE "-ENV" SUFFIX.

WHERE USED: MH860

**DMG** DANIELS MANUFACTURING CORP.  
ORLANDO, FLORIDA  
CASE 11851

TITLE: ENVELOPE DRAWING POSITIONER

SIZE	SCALE	CAD P/N	SHEET	OF
A	NTS	86-206-ENV	1	1
POSTING		DWG. NO.		REV.
		86-206-ENV		1