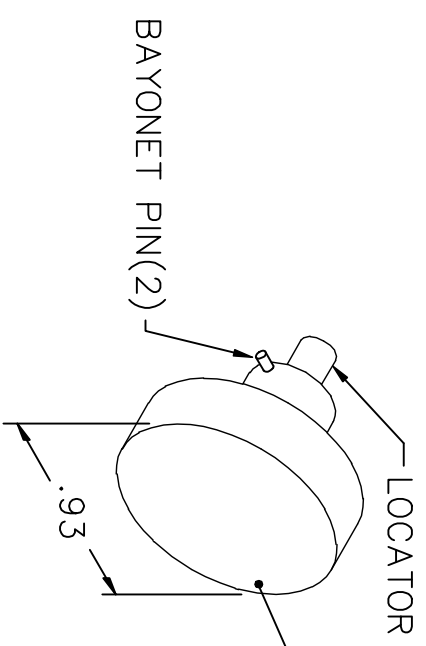
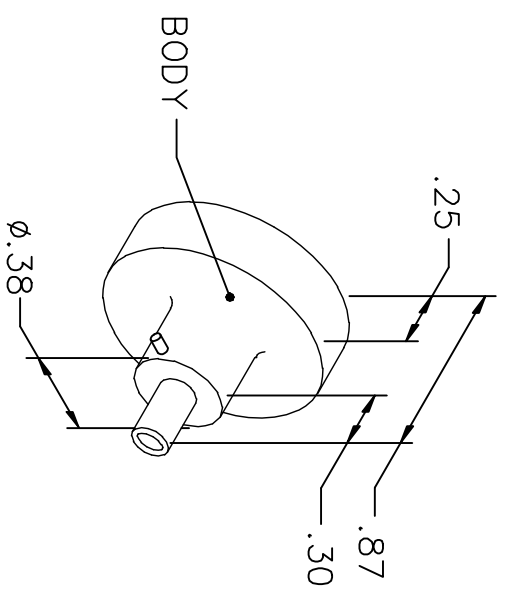
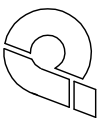


REVISIONS				
REV. SYM.	E.C.O. NUMBER	DESCRIPTION	BY DATE	APP'D DATE
1		ORIGINAL RELEASE	TD 9-22-09	






Jupiter

PART NO: JBX 2 OUT LP13

WIRE SIZE	18	20	22
POS.	8	7	7

USE WITH CONTACT NO:
JBX 2 CT MC13
Ø1.3mm PIN, SIZE 2

NOTE: FOR USE WITH DANIELS CRIMP TOOLS ACCOMMODATING "86" SERIES POSITIONERS

LOCATOR	ADDITIONAL FEATURES
HOLE DIMENSIONS	
Ø.053	 Ø.114 ±.30
±.504	

RESTRICTED & CONFIDENTIAL

CONFIDENTIAL PROPERTY OF DANIELS MANUFACTURING CORP. NOT TO BE DISCLOSED TO OTHERS, REPRODUCED OR USED FOR ANY OTHER PURPOSE, EXCEPT AS AUTHORIZED IN WRITING BY DANIELS MANUFACTURING. MUST BE RETURNED TO DANIELS MANUFACTURING CORP. ON COMPLETION OF ORDER OR OTHER PURPOSE FOR WHICH LENT.

DO NOT SCALE DRAWING

DRN. CHK'D.	DATE	DRN. CHK'D.	DATE	TITLE	WHERE USED:	CAD P/N	SHEET	OF	REV.
<i>Jenny Sitworth</i>	9-22-09			ENVELOPE DRAWING POSITIONER	MH860	86-206-ENV	1	1	1
APP'D.	DATE	APP'D.	DATE	NOTE: THIS DRAWING IS AN OUTLINE DRAWING OF THE RESPECTIVE DMG PART NUMBER INDICATED. ACTUAL DMG PART NUMBER IS DRAWING NUMBER WITHOUT THE "-ENV" SUFFIX.					
				DANIELS MANUFACTURING CORP. ORLANDO, FLORIDA CASE 11851					
				SIZE SCALE POSTING A NTS DWG. NO. 86-206-ENV					