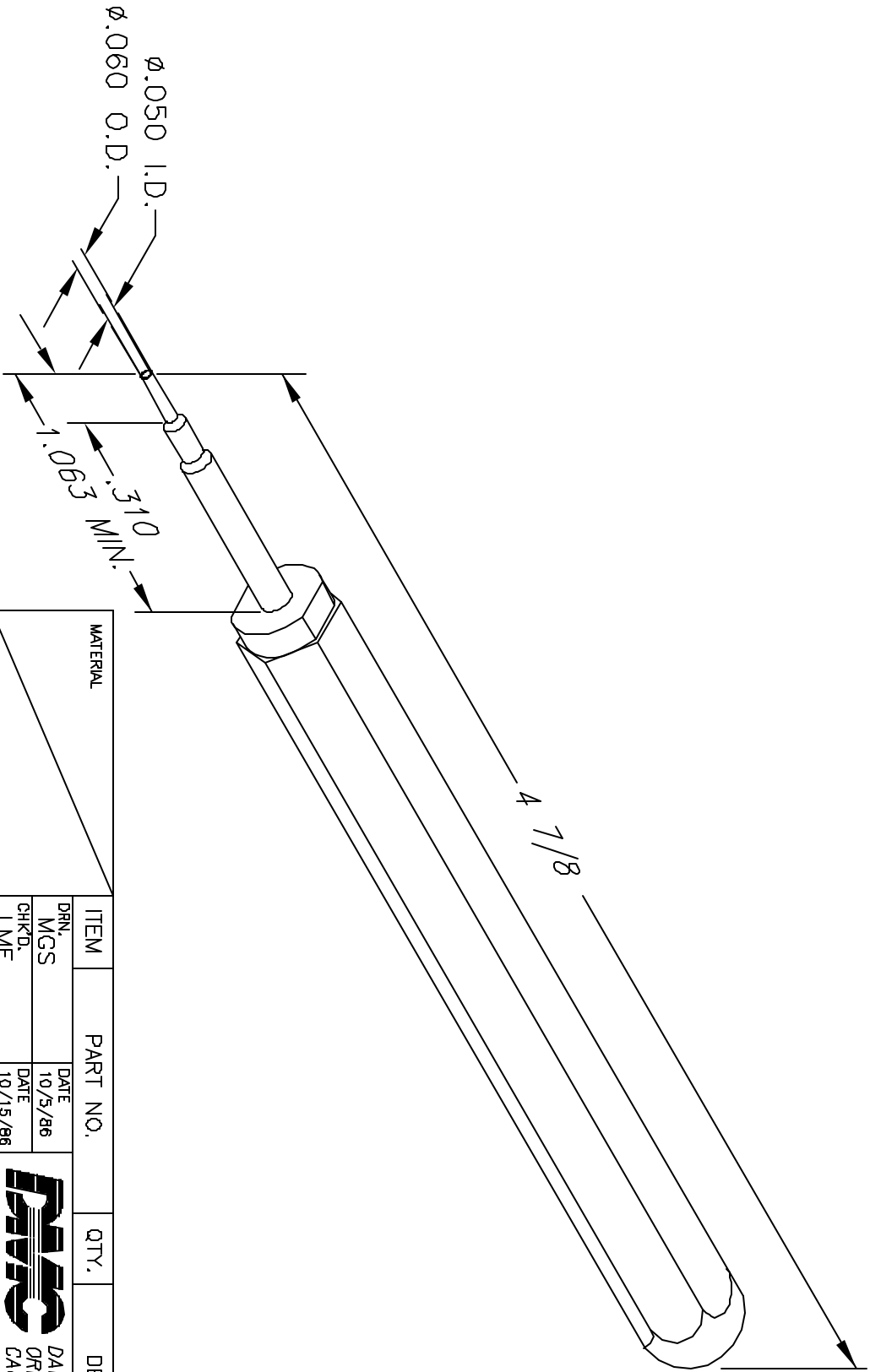


**UNCONTROLLED DOCUMENT
WILL NOT BE UPDATED**

REVISIONS				
REV. SYM.	E.C.D. NUMBER	DESCRIPTION	BY DATE	APP'D DATE
1		ORIGINAL RELEASE	MGS 10/15/86	TR 10/86
2		PROBE DIM'S ADDED	MEC 2/7/92	DB 2/20/92



RESTRICTED & CONFIDENTIAL
 CONFIDENTIAL PROPERTY OF DANIELS MANUFACTURING CORP. NOT TO BE DISCLOSED TO OTHERS. REPRODUCED OR USED FOR ANY OTHER PURPOSE EXCEPT AS AUTHORIZED IN WRITING BY DANIELS MANUFACTURING. MUST BE RETURNED TO DANIELS MANUFACTURING CORP. ON COMPLETION OF ORDER OR OTHER PURPOSES FOR WHICH LENT.

MATERIAL	
HEAT TREAT	
FINISH	

ITEM	PART NO.
DRN. MGS	DATE 10/5/86
CHK'D. LME	DATE 10/15/86
APP'D. TR	DATE 10/86
APP'D.	DATE

QTY.	DESCRIPTION/REMARKS
	DMS DANIELS MANUFACTURING CORP. ORLANDO, FLORIDA GAGE 11851
TITLE	REMOVAL TOOL
WHERE USED:	(MATRIX 90-0002-002)
SIZE	SCALE
A	NTS
POSTING	GAD P/N
	DRK147-ENV
	P/N
	DRK147-ENV
	SHEET
	1
	OF
	1
	REV.
	2

DO NOT SCALE DRAWING

NOTE:
THIS DRAWING IS AN OUTLINE
DRAWING OF THE RESPECTIVE
DMG PART NUMBER
INDICATED. ACTUAL DMG
PART NUMBER IS DRAWING
NUMBER WITHOUT
THE "-ENV" SUFFIX.