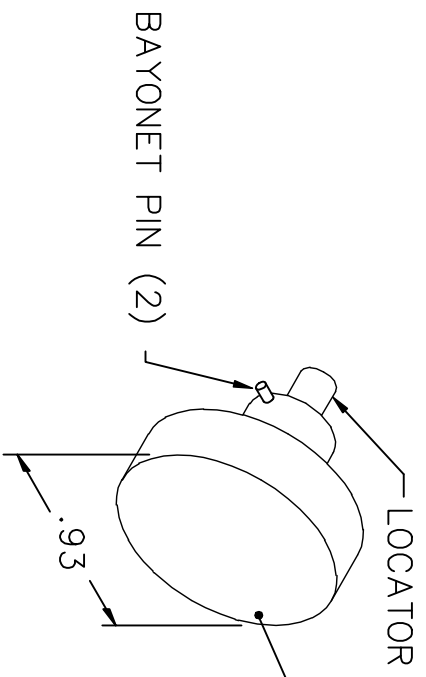
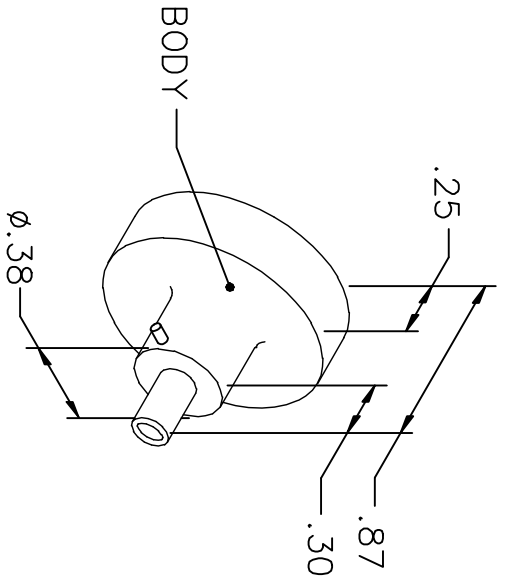



REVISIONS				
REV. SYM.	E.C.O. NUMBER	DESCRIPTION	BY DATE	APP'D DATE
1		ORIGINAL RELEASE	JWJ 5/4/03	RRR 5/4/03

**UNCONTROLLED DOCUMENT
WILL NOT BE UPDATED**



 Jupiter
 PART NO: JBX 2 OUT LP07

WIRE SIZE	22	24	26
POS.	6	5	5

USE WITH CONTACT NO:
 JBX 2 CT MCO7
 Ø0.7mm PIN, SIZE 2

NOTE: FOR USE WITH DANIELS CRIMP TOOL MH860.

LOCATOR	ADDITIONAL FEATURES
HOLE DIMENSIONS	
∅.031	└┘∅.078
∇.504	∇.30

RESTRICTED & CONFIDENTIAL


CONFIDENTIAL PROPERTY OF DANIELS MANUFACTURING CORP. NOT TO BE DISCLOSED TO OTHERS, REPRODUCED OR USED FOR ANY OTHER PURPOSE, EXCEPT AS AUTHORIZED IN WRITING BY DANIELS MANUFACTURING. MUST BE RETURNED TO DANIELS MANUFACTURING CORP. ON COMPLETION OF ORDER OR OTHER PURPOSE FOR WHICH LENT.

DO NOT SCALE DRAWING

DRN.	J. JOYCE	DATE	DATE
CHK'D.	RRR	DATE	5/4/03
APP'D.		DATE	
APP'D.		DATE	

NOTE: THIS DRAWING IS AN OUTLINE DRAWING OF THE RESPECTIVE DMG PART NUMBER INDICATED. ACTUAL DMG PART NUMBER IS DRAWING NUMBER WITHOUT THE "-ENV" SUFFIX.

WHERE USED: MH860

 DANIELS MANUFACTURING CORP.
 ORLANDO, FLORIDA
 CAGE 11851

POSITIONER
ENVELOPE DRAWING

SIZE	SCALE	CAD P/N	SHEET	OF
A	NTS	86-202-ENV	1	1

POSTING

DWG. NO.	REV.
86-202-ENV	1