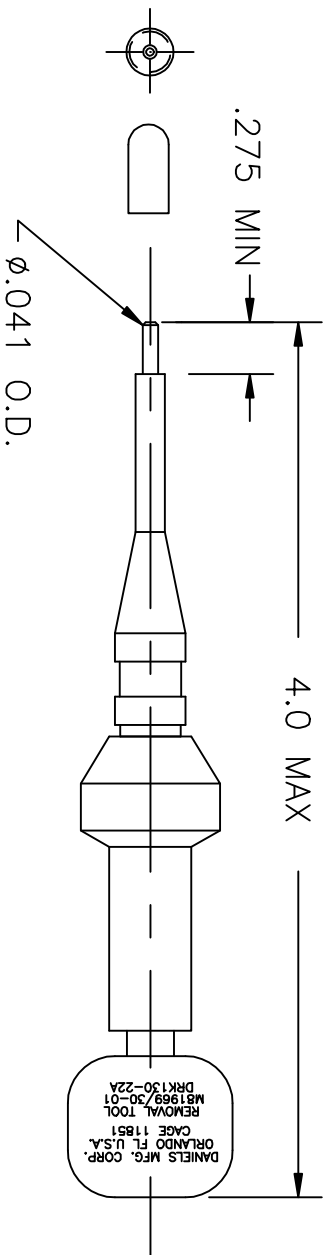


**UNCONTROLLED DOCUMENT
WILL NOT BE UPDATED**

REVISIONS			REV.	E.C.O. NUMBER	DESCRIPTION	BY DATE	APP'D DATE
1		ORIGINAL RELEASE	JMJ	11/12/99	RRR	11/12/99	
2	21484	ADDED TIP VIEW	KDH	11/04/09	RRR	11/04/09	



MATERIAL		HEAT TREAT		FINISH			
ITEM		PART NO.		QTY.		DESCRIPTION/REMARKS	
DRN.	J. JOYCE	DATE	11/12/99			DMC DANIELS MANUFACTURING CORP. ORLANDO, FLORIDA CAGE 11851	
CHK'D.	RRR	DATE	11/12/99				
APP'D.		DATE					
NOTE:		THIS DRAWING IS AN OUTLINE DRAWING OF THE RESPECTIVE DMC PART NUMBER INDICATED. ACTUAL DMC PART NUMBER IS DRAWING NUMBER WITHOUT THE "-ENV" SUFFIX.					
WHERE USED:		TITLE: REMOVAL TOOL #22 (M81969/30-01) ENVELOPE DRAWING					
SIZE	A	SCALE	NTS	CAD P/N	DRK130-22A-ENV	SHEET	1 OF 1
POSTING				DWG. NO.	DRK130-22A-ENV	REV.	2

RESTRICTED & CONFIDENTIAL

CONFIDENTIAL PROPERTY OF DANIELS MANUFACTURING CORP. NOT TO BE DISCLOSED TO OTHERS, REPRODUCED OR USED FOR ANY OTHER PURPOSE EXCEPT AS AUTHORIZED IN WRITING BY DANIELS MANUFACTURING. MUST BE RETURNED TO DANIELS MANUFACTURING CORP. ON COMPLETION OF ORDER OR OTHER PURPOSES FOR WHICH LENT.

DO NOT SCALE DRAWING