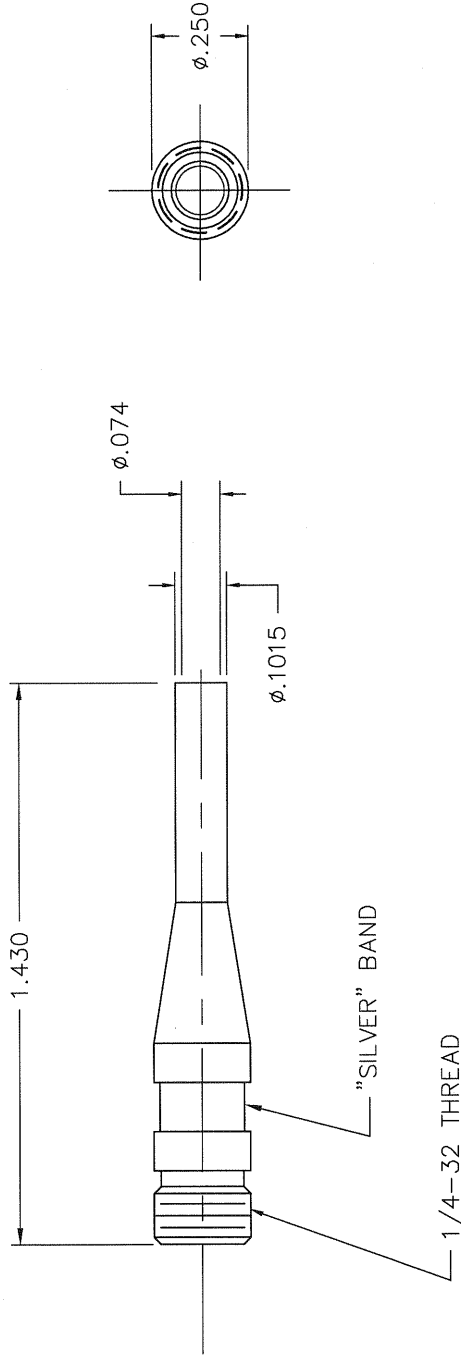


REVISIONS

REV. SYM.	E.C.O. NUMBER	DESCRIPTION	BY DATE	APP'D DATE
1		ORIGINAL RELEASE	TD 3/12/08	



RESTRICTED & CONFIDENTIAL
 CONFIDENTIAL PROPERTY OF DANIELS MANUFACTURING CORP. NOT TO BE DISCLOSED TO OTHERS, REPRODUCED OR USED FOR ANY OTHER PURPOSE, EXCEPT AS AUTHORIZED IN WRITING BY DANIELS MANUFACTURING CORPORATION. DANIELS MANUFACTURING CORP. ON COMPLETION OF ORDER OR OTHER PURPOSE FOR WHICH LENT.


DO NOT SCALE DRAWING

MATERIAL

HEAT TREAT

FINISH

NOTE:
 THIS DRAWING IS AN OUTLINE DRAWING OF THE RESPECTIVE PARTS. PART NUMBER INDICATED ACTUALLY DRAWING PART NUMBER IS DRAWING NUMBER WITHOUT THE "-ENV" SUFFIX.

ITEM	PART NO.	QTY.	DESCRIPTION/REMARKS
DRN <i>Tony DiLoreto</i>	DATE 3/12/08		 DANIELS MANUFACTURING CORP. ORLANDO, FLORIDA CAGE 11851
CHK'D.	DATE		
APP'D.	DATE		TITLE PROBE (SIZE 20) ENVELOPE DRAWING
APP'D.	DATE		WHERE USED: M0081969/30-25 (REV B)
THIS DRAWING IS AN OUTLINE DRAWING OF THE RESPECTIVE PARTS. PART NUMBER INDICATED ACTUALLY DRAWING PART NUMBER IS DRAWING NUMBER WITHOUT THE "-ENV" SUFFIX.		CAD P/N DRK110-20-2-ENV	SHEET OF 1
		SCALE 3X	P/N DRK110-20-2-ENV
		POSTING	REV. 1