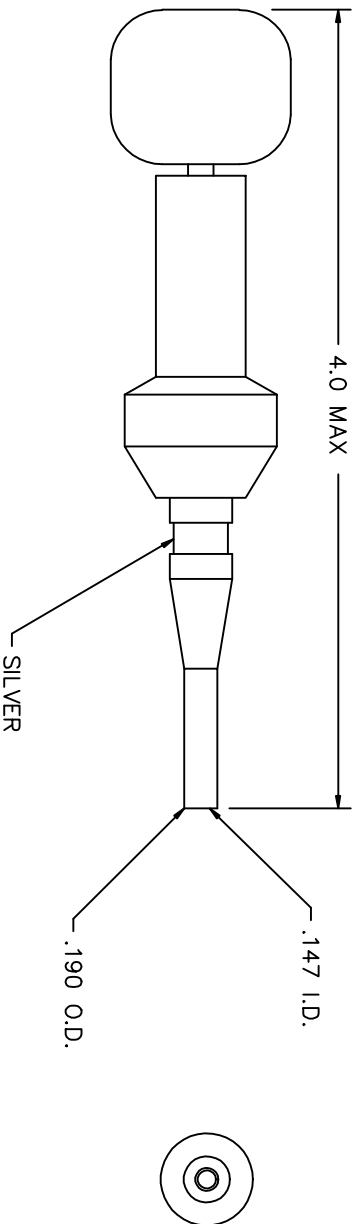


REVISIONS				
REV. SYM.	E.O.D. NUMBER	DESCRIPTION	BY DATE	APP'D DATE
1		ORIGINAL RELEASE	JMI 1/21/02	RRR 1/21/02
2	21484	ADDED PROBE VIEW	KCH 11/03/09	RRR 11/03/09



**UNCONTROLLED DOCUMENT
WILL NOT BE UPDATED**

RESTRICTED & CONFIDENTIAL		CONFIDENTIAL PROPERTY OF DANIELS MANUFACTURING CORP. NOT TO BE DISCLOSED TO OTHERS, REPRODUCED OR TRANSMITTED IN ANY FORM OR BY ANY MEANS, ELECTRONIC OR MECHANICAL, INCLUDING PHOTOCOPYING, RECORDING, OR BY ANY INFORMATION STORAGE AND RETRIEVAL SYSTEM, WITHOUT THE WRITTEN PERMISSION OF DANIELS MANUFACTURING CORP. ON COMPLETION OF ORDER OR OTHER PURPOSE FOR WHICH INT.	
MATERIAL		HEAT TREAT	
FINISH		DO NOT SCALE DRAWING	
ITEM	PART NO.	QTY.	DESCRIPTION/REMARKS
DRK J. JOYCE	1/21/02		DANIELS MANUFACTURING CORP. ORLANDO, FLORIDA CAGE 11851
CHKD. RRR	1/21/02		
APP'D.	DATE		
APP'D.	DATE		
NOTE: THIS DRAWING IS AN OUTLINE DRAWING OF THE RESPECTIVE INDICATED ACTUAL DIMENSIONS. THE DIMENSIONS SHOWN ARE APPROXIMATE. THE DIMENSIONS SHOWN ARE APPROXIMATE. THE DIMENSIONS SHOWN ARE APPROXIMATE.			
TITLE		WHERE USED:	
REMOVAL TOOL #12 ENVELOPE DRAWING (M81969/30-27 REV. B)		CAD P/N	SHEET OF
DRK110-12A-ENV		DRK110-12A-ENV	1 1
DRK110-12A-ENV		DRK110-12A-ENV	1 2