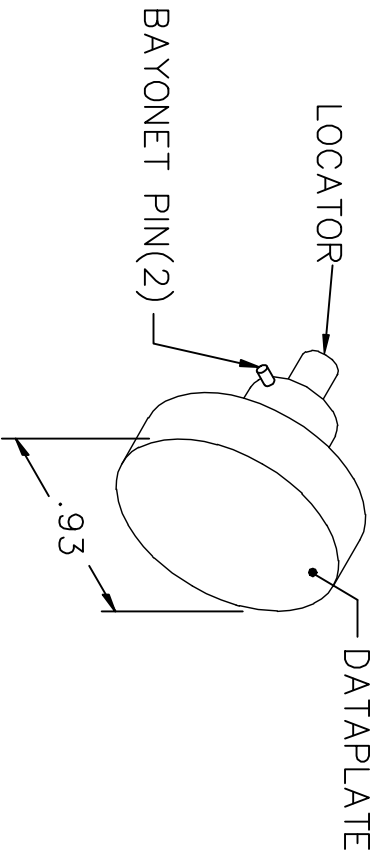
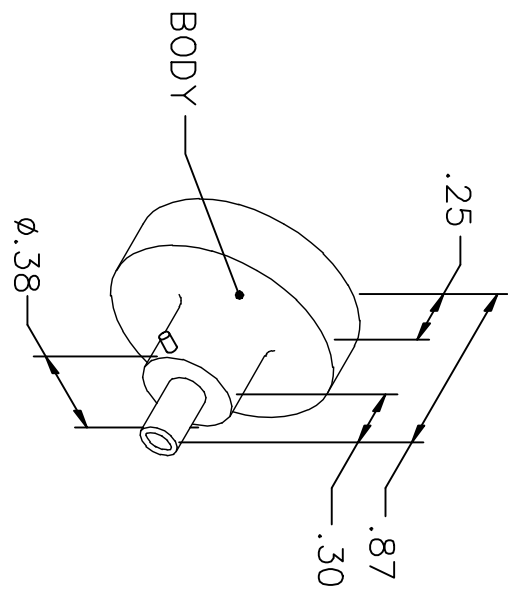


NOTE: FOR USE WITH DANIELS CRIMP TOOLS ACCOMMODATING "86" SERIES POSITIONERS



REVISIONS				
REV. SYM.	E.C.O. NUMBER	DESCRIPTION	BY DATE	APP'D DATE
2		DATAPLATE CHANGE	JD 9-21-09	

**UNCONTROLLED DOCUMENT  
WILL NOT BE UPDATED**

PART NO: JBX 1 OUT LS07

WIRE SIZE	22	24	26
POS.	6	5	5

USE WITH CONTACT NO:  
JBX 1 CT FC07  
Ø0.7mm SOCKET, SIZE 1

LOCATOR	
HOLE DIMENSIONS	ADDITIONAL FEATURES
Ø.046	□ Ø.078
▽.560	▽.21

<b>RESTRICTED &amp; CONFIDENTIAL</b>		<b>MATERIAL</b>																																				
CONFIDENTIAL PROPERTY OF DANIELS MANUFACTURING CORP. NOT TO BE DISCLOSED TO OTHERS, REPRODUCED OR USED FOR ANY OTHER PURPOSE, EXCEPT AS AUTHORIZED IN WRITING BY DANIELS MANUFACTURING. MUST BE RETURNED TO DANIELS MANUFACTURING CORP. ON COMPLETION OF ORDER OR OTHER PURPOSE FOR WHICH LENT.		HEAT TREAT  FINISH																																				
<b>DO NOT SCALE DRAWING</b>		<b>DO NOT SCALE DRAWING</b>																																				
<table border="1" style="width: 100%; font-size: x-small;"> <tr> <th>ITEM</th> <th>PART NO.</th> <th>DATE</th> <th>QTY.</th> <th>DESCRIPTION/REMARKS</th> </tr> <tr> <td>DRN. M. CARRERO</td> <td></td> <td>6-29-94</td> <td></td> <td></td> </tr> <tr> <td>CHK'D. DE</td> <td></td> <td>6-94</td> <td></td> <td></td> </tr> <tr> <td>APP'D.</td> <td></td> <td>DATE</td> <td></td> <td></td> </tr> <tr> <td>APP'D.</td> <td></td> <td>DATE</td> <td></td> <td></td> </tr> </table>		ITEM	PART NO.	DATE	QTY.	DESCRIPTION/REMARKS	DRN. M. CARRERO		6-29-94			CHK'D. DE		6-94			APP'D.		DATE			APP'D.		DATE			<p style="font-size: x-small;">NOTE: THIS DRAWING IS AN OUTLINE DRAWING OF THE RESPECTIVE DMC PART NUMBER INDICATED. ACTUAL DMC PART NUMBER IS DRAWING NUMBER WITHOUT THE "-ENV" SUFFIX.</p> <p style="font-size: x-small;">WHERE USED:</p> <table border="1" style="width: 100%; font-size: x-small;"> <tr> <th>SIZE</th> <th>SCALE</th> <th>CAD P/N</th> <th>SHEET</th> <th>OF</th> </tr> <tr> <td>A</td> <td>NTS</td> <td>86-197-ENV</td> <td>1</td> <td>1</td> </tr> </table>		SIZE	SCALE	CAD P/N	SHEET	OF	A	NTS	86-197-ENV	1	1
ITEM	PART NO.	DATE	QTY.	DESCRIPTION/REMARKS																																		
DRN. M. CARRERO		6-29-94																																				
CHK'D. DE		6-94																																				
APP'D.		DATE																																				
APP'D.		DATE																																				
SIZE	SCALE	CAD P/N	SHEET	OF																																		
A	NTS	86-197-ENV	1	1																																		
<p style="font-size: x-small;">TITLE</p> <p style="font-size: x-small;">ENVELOPE DRAWING POSITIONNER</p>		<p style="font-size: x-small;">DANIELS MANUFACTURING CORP. ORLANDO, FLORIDA CAGE 11851</p>																																				