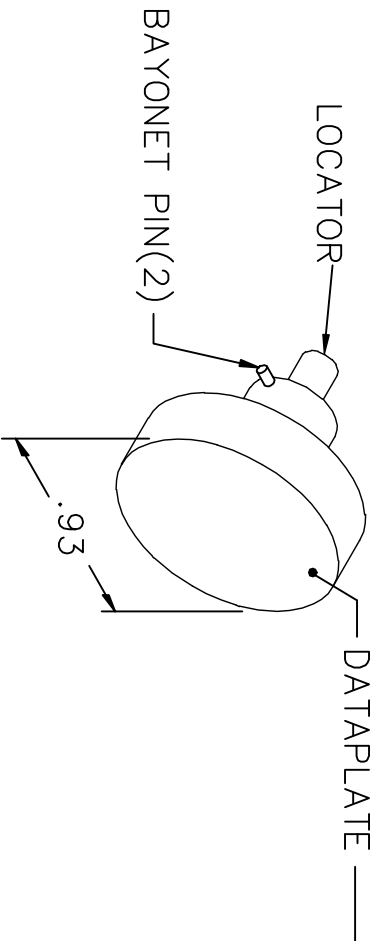
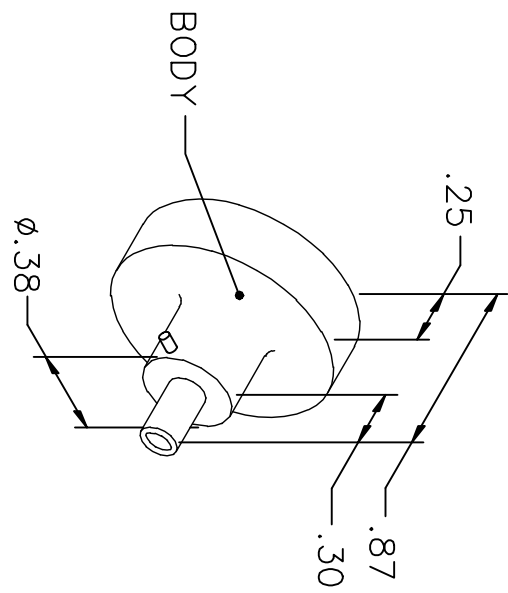



NOTE: FOR USE WITH DANIELS CRIMP TOOLS ACCOMMODATING "86" SERIES POSITIONERS



REVISIONS				
REV. SYM.	E.C.O. NUMBER	DESCRIPTION	BY DATE	APP'D DATE
2	21444	DATAPLATE CHANGE	JD 9-21-09	DE 9-22-09

**UNCONTROLLED DOCUMENT
WILL NOT BE UPDATED**

 Jupiter
 PART NO: JBX 1 OUT LP07
 USE WITH CONTACT NO:
 JBX 1 CT MC07
 Ø0.7mm PIN, SIZE 1

LOCATOR	
HOLE DIMENSIONS	ADDITIONAL FEATURES
.031	□ Ø.078
▽ .464	▽ .28

RESTRICTED & CONFIDENTIAL		MATERIAL	ITEM	PART NO.	QTY.	DESCRIPTION/REMARKS
CONFIDENTIAL PROPERTY OF DANIELS MANUFACTURING CORP. NOT TO BE DISCLOSED TO OTHERS, REPRODUCED OR USED FOR ANY OTHER PURPOSE, EXCEPT AS AUTHORIZED IN WRITING BY DANIELS MANUFACTURING. MUST BE RETURNED TO DANIELS MANUFACTURING CORP. ON COMPLETION OF ORDER OR OTHER PURPOSE FOR WHICH INT.			DRN. M. CARRERO	DATE 6-29-94		
			CHK'D. DE	DATE 6-94		
		HEAT TREAT	APP'D.	DATE		
		FINISH	APP'D.	DATE		
DO NOT SCALE DRAWING		NOTE: THIS DRAWING IS AN OUTLINE DRAWING OF THE RESPECTIVE DMC PART NUMBER INDICATED. ACTUAL DMC PART NUMBER IS DRAWING NUMBER WITHOUT THE "-ENV" SUFFIX.				
		WHERE USED:		CAD P/N	SHEET	OF
		TITLE: ENVELOPE DRAWING POSITIONER		86-196-ENV	1	1
		DANIELS MANUFACTURING CORP. ORLANDO, FLORIDA CAGE 11851		DWG. NO. 86-196-ENV		REV. 2