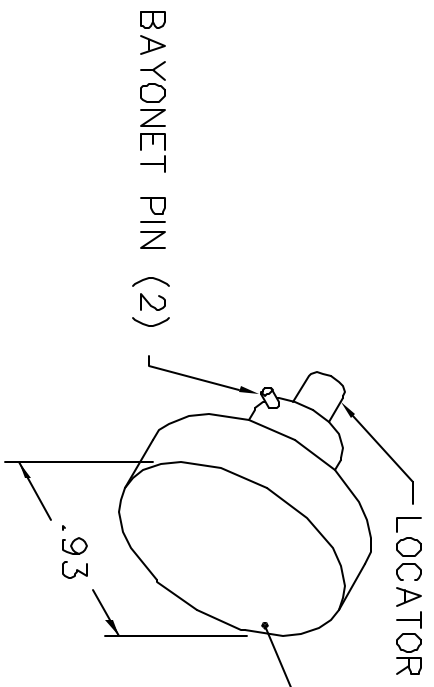
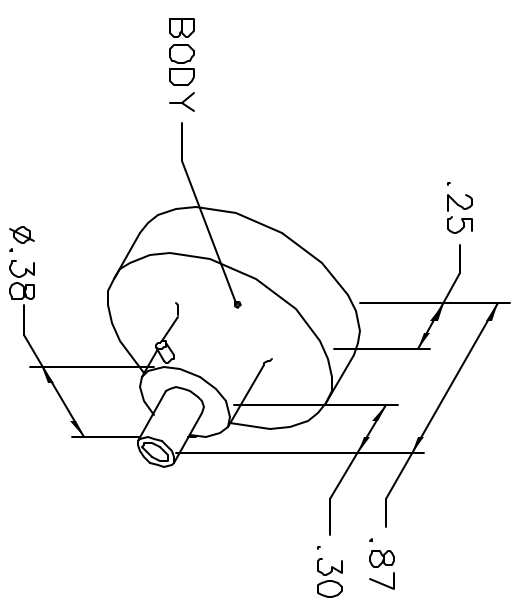


REVISIONS				
REV. SYM.	E.C.O. NUMBER	DESCRIPTION	BY DATE	APP'D DATE
1		ORIGINAL RELEASE	DVC 8/28/95	DE 8/95

**UNCONTROLLED DOCUMENT
WILL NOT BE UPDATED**



CONTACT LEMO S. A. FGG.2B.565.ZZC		
WIRE	18	20 22
SEL.	8	7 6

NOTE: FOR USE WITH DANIELS CRIMP TOOLS
ACCOMMODATING "86" SERIES POSITIONERS

LOCATOR	LOCATOR
HOLE DIMENSIONS	ADDITIONAL FEATURES
∅.055 ∇.485	└┘ ∅.106 ∇.30

RESTRICTED & CONFIDENTIAL

CONFIDENTIAL PROPERTY OF DANIELS MANUFACTURING CORP. NOT TO BE DISCLOSED TO OTHERS, REPRODUCED OR USED FOR ANY OTHER PURPOSE, EXCEPT AS AUTHORIZED IN WRITING BY DANIELS MANUFACTURING. MUST BE RETURNED TO DANIELS MANUFACTURING CORP. ON COMPLETION OF ORDER OR OTHER PURPOSE FOR WHICH LENT.

DO NOT SCALE DRAWING

DRN.	DVC	DATE	TITLE	
CHKD.	DE	DATE	 DANIELS MANUFACTURING CORP. ORLANDO, FLORIDA CAGE 11851	
APP'D.		DATE		
APP'D.		DATE	POSITIONER ENVELOPE DRAWING	
NOTE: THIS DRAWING IS AN OUTLINE DRAWING OF THE RESPECTIVE DMC PART NUMBER INDICATED. ACTUAL DMC PART NUMBER IS DRAWING NUMBER WITHOUT THE "-ENV" SUFFIX.			WHERE USED:	POSTING
			MHB80	
			CAD P/N	SHEET
			86-184-ENV	1 OF 1
			DWG. NO.	REV.
			86-184-ENV	1