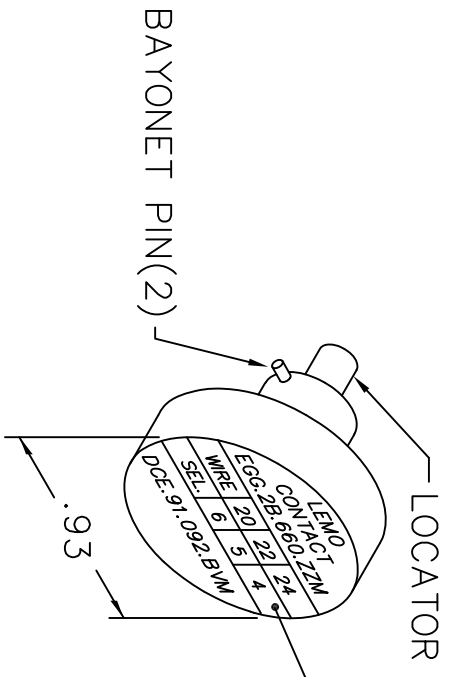
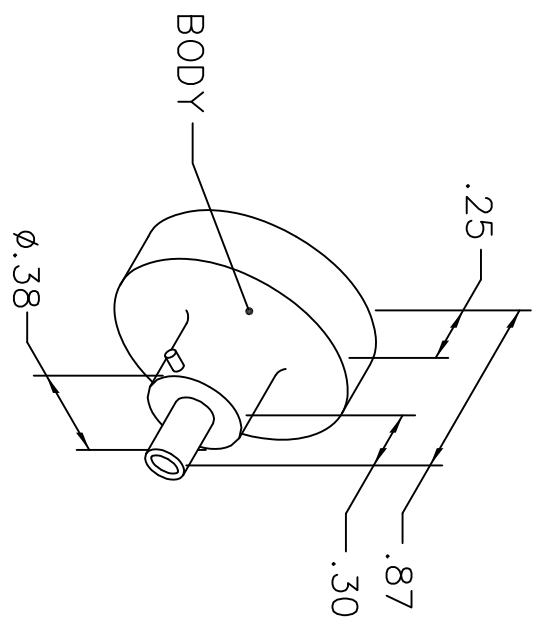


| REVISIONS | | | | |
|-----------|---------------|------------------|-------------|-------------|
| REV. SYM. | E.C.O. NUMBER | DESCRIPTION | BY DATE | APP'D DATE |
| 1 | | ORIGINAL RELEASE | AAM 2-22-02 | RRR 2-22-02 |

**UNCONTROLLED DOCUMENT
WILL NOT BE UPDATED**



| | | | |
|-------------------|----|----|----|
| LEMO CONTACT | | | |
| EGG. 2B. 660. ZZM | | | |
| WIRE | 20 | 22 | 24 |
| SEL. | 6 | 5 | 4 |
| DCE. 91. 092. BVM | | | |

NOTE: FOR USE WITH DANIELS CRIMP TOOLS
ACCOMMODATING "86" SERIES POSITIONERS

| | |
|-----------------|---------------------|
| LOCATOR | |
| HOLE DIMENSIONS | ADDITIONAL FEATURES |
| ∅.061 ∇.628 | L ∅.075 ∇.179 |

RESTRICTED & CONFIDENTIAL

CONFIDENTIAL PROPERTY OF DANIELS MANUFACTURING CORP. NOT TO BE DISCLOSED TO OTHERS, REPRODUCED OR USED FOR ANY OTHER PURPOSE, EXCEPT AS AUTHORIZED IN WRITING BY DANIELS MANUFACTURING. MUST BE RETURNED TO DANIELS MANUFACTURING CORP. ON COMPLETION OF ORDER OR OTHER PURPOSE FOR WHICH LENT.

DO NOT SCALE DRAWING

| | | | | | |
|---|--------------|--|---------------------|--------------------|--------------|
| DRN. A. MOO-YOUNG | DATE 2-22-02 | TITLE | | | |
| CHK'D. RRR | DATE 2-22-02 | DWG DANIELS MANUFACTURING CORP. ORLANDO, FLORIDA CAGE 11851 ENVELOPE DRAWING POSITIONER | | | |
| APP'D. | DATE | | | | |
| APP'D. | DATE | WHERE USED: MH860 | | | |
| NOTE: THIS DRAWING IS AN OUTLINE DRAWING OF THE RESPECTIVE DMC PART NUMBER INDICATED. ACTUAL DMC PART NUMBER IS DRAWING NUMBER WITHOUT THE "-ENV" SUFFIX. | | SIZE A | SCALE NTS | CAD P/N 86-171-ENV | SHEET 1 OF 1 |
| | | POSTING | DWG. NO. 86-171-ENV | REV. 1 | REV. 1 |