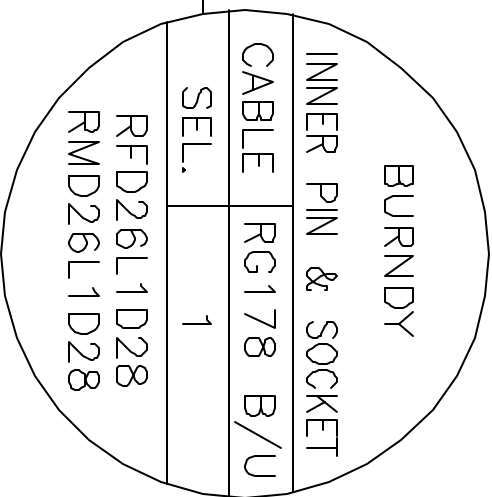
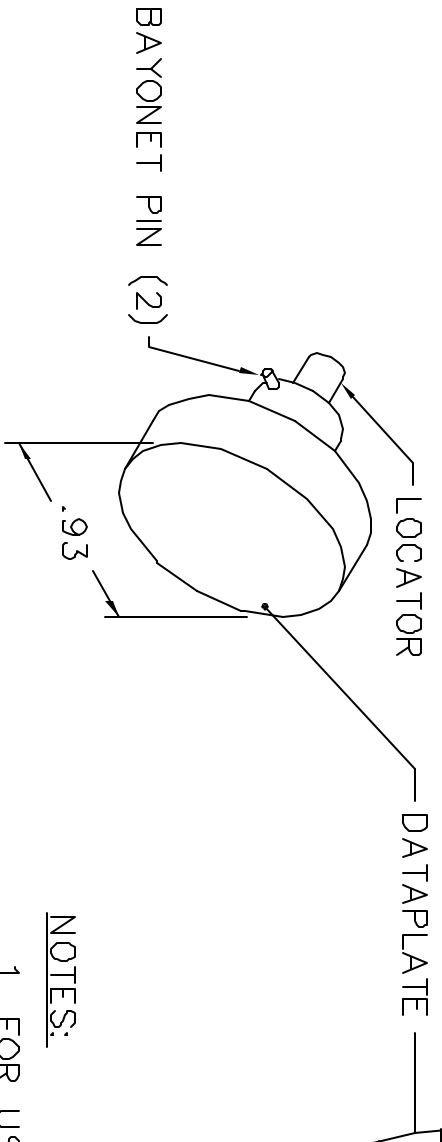
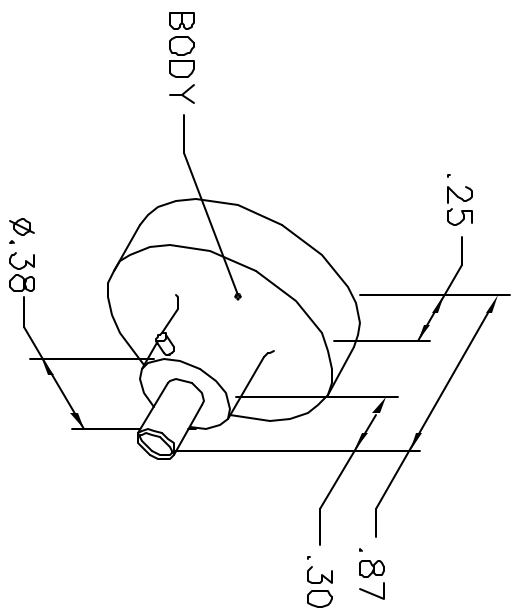


REVISIONS				
REV. SYM.	E.C.D. NUMBER	DESCRIPTION	BY DATE	APP'D DATE
1		ORIGINAL RELEASE	JWJ 12/17/04	RRR 12/17/04

**UNCONTROLLED DOCUMENT  
WILL NOT BE UPDATED**



**NOTES:**

1. FOR USE WITH DANIELS CRIMP TOOLS ACCOMMODATING "86" SERIES POSITIONERS

LOCATOR	
HOLE DIMENSIONS	ADDITIONAL FEATURES
∅.042 ∇.310	

**RESTRICTED & CONFIDENTIAL**

CONFIDENTIAL PROPERTY OF DANIELS MANUFACTURING CORP. NOT TO BE DISCLOSED TO OTHERS, REPRODUCED OR USED FOR ANY OTHER PURPOSE, EXCEPT AS AUTHORIZED IN WRITING BY DANIELS MANUFACTURING. MUST BE RETURNED TO DANIELS MANUFACTURING CORP. ON COMPLETION OF ORDER OR OTHER PURPOSE FOR WHICH LENT.

DO NOT SCALE DRAWING

DRN.	J. JOYCE	DATE	12/17/04
CHK'D.	RRR	DATE	12/17/04
APP'D.		DATE	
APP'D.		DATE	

<p><b>DMC</b> DANIELS MANUFACTURING CORP. ORLANDO, FLORIDA CAGE 11851</p>		<p><b>POSITIONER ENVELOPE DRAWING</b></p>	
<p>WHERE USED: MH860</p>		CAD P/N	86-166-ENV
SIZE	SCALE	DWG. NO.	86-166-ENV
A	NTS		
POSTING			
		SHEET	1 OF 1
		REV.	1

NOTE: THIS DRAWING IS AN OUTLINE DRAWING OF THE RESPECTIVE DMC PART NUMBER INDICATED. ACTUAL DMC PART NUMBER IS DRAWING NUMBER WITHOUT THE "-ENV" SUFFIX.