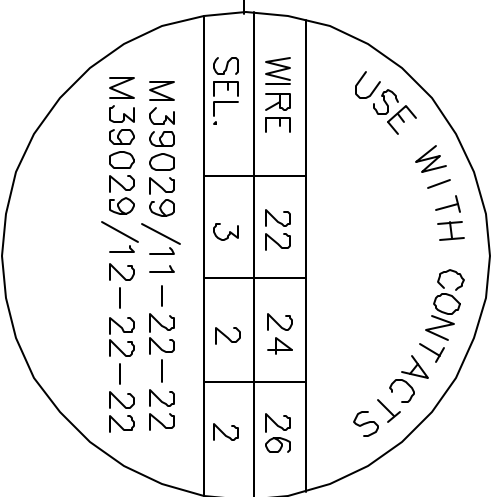
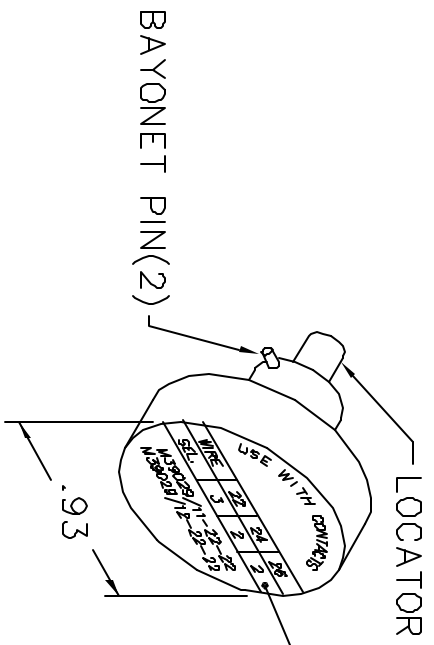
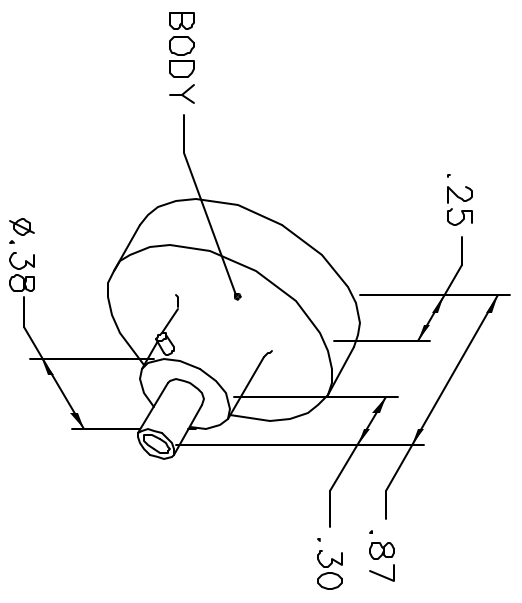


REVISIONS				
REV. SYM.	E.C.D. NUMBER	DESCRIPTION	BY DATE	APP'D DATE
2		REDRAWN	AAM 2-14-00	RRR 2-14-00

**UNCONTROLLED DOCUMENT
WILL NOT BE UPDATED**



NOTE: FOR USE WITH DANIELS MH860 CRIMP TOOL.

LOCATOR	
HOLE DIMENSIONS	ADDITIONAL FEATURES
Ø.063	┌┐ Ø.093
▽.690 MIN.	▽.105

RESTRICTED & CONFIDENTIAL

CONFIDENTIAL PROPERTY OF DANIELS MANUFACTURING CORP. NOT TO BE DISCLOSED TO OTHERS, REPRODUCED OR USED FOR ANY OTHER PURPOSE, EXCEPT AS AUTHORIZED IN WRITING BY DANIELS MANUFACTURING. MUST BE RETURNED TO DANIELS MANUFACTURING CORP. ON COMPLETION OF ORDER OR OTHER PURPOSE FOR WHICH LENT.

DO NOT SCALE DRAWING

DRN. LV	DATE	2-13-91
CHK'D. PD	DATE	2-13-91
APP'D. DATE	DATE	
APP'D. DATE	DATE	
DANIELS MANUFACTURING CORP. ORLANDO, FLORIDA CAGE 11851		
ENVELOPE DRAWING POSITIONER		
WHERE USED:	MH860	
SIZE SCALE	CAD P/N	86-137-ENV
A NTS		
POSTING	P/N	86-137-ENV
	SHEET 1	OF 1
	REV.	2