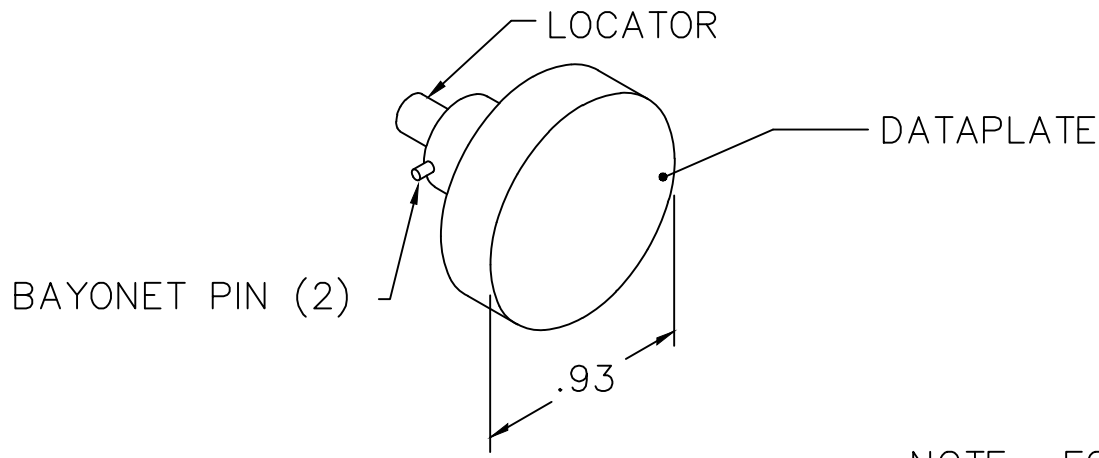
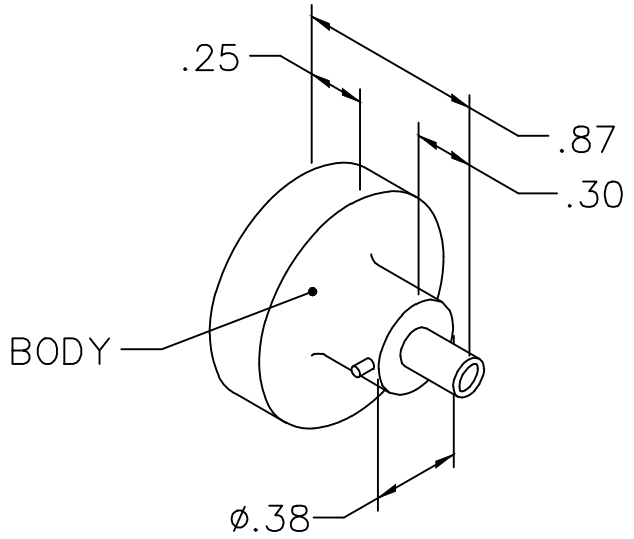


REVISIONS				
REV. SYM.	E.C.O. NUMBER	DESCRIPTION	BY DATE	APP'D DATE
1		ORIGINAL RELEASE	JWJ 5/4/03	RRR 5/4/03

**UNCONTROLLED DOCUMENT
WILL NOT BE UPDATED**



USE WITH CONTACTS

M24308/12-1 & /13-1
SIZE 22D SKT. & PIN

WIRE	22	24	26	28
-22 SEL	3	2	1	
-22M SEL		3	2	1
-22D SEL	3	2	1	

MS27491, MS27492
MS27493, MS27494
SIZES 22, 22M, 22D
SHORT SKTS. & PINS

NOTE: FOR USE WITH DANIELS CRIMP TOOL MH860.

LOCATOR	
HOLE DIMENSIONS	ADDITIONAL FEATURES
$\phi .063$ $\nabla .355$	

RESTRICTED & CONFIDENTIAL

CONFIDENTIAL PROPERTY OF DANIELS MANUFACTURING CORP. NOT TO BE DISCLOSED TO OTHERS, REPRODUCED OR USED FOR ANY OTHER PURPOSE, EXCEPT AS AUTHORIZED IN WRITING BY DANIELS MANUFACTURING. MUST BE RETURNED TO DANIELS MANUFACTURING CORP. ON COMPLETION OF ORDER OR OTHER PURPOSE FOR WHICH LENT.

DO NOT SCALE DRAWING

DRN.	J. JOYCE	DATE	5/4/03
CHK'D.	RRR	DATE	5/4/03
APP'D.		DATE	
APP'D.		DATE	

NOTE:
THIS DRAWING IS AN OUTLINE DRAWING OF THE RESPECTIVE DMC PART NUMBER INDICATED. ACTUAL DMC PART NUMBER IS DRAWING NUMBER WITHOUT THE "-ENV" SUFFIX.

DMC DANIELS MANUFACTURING CORP.
ORLANDO, FLORIDA
CAGE 11851

TITLE
**POSITIONER
ENVELOPE DRAWING**

WHERE USED: MH860

SIZE	SCALE	CAD P/N	SHEET	OF
A	NTS	86-103-ENV	1	1
POSTING	DWG. NO.		REV.	
	86-103-ENV		1	