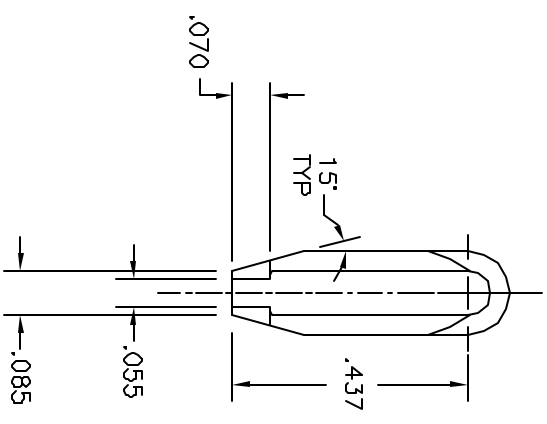
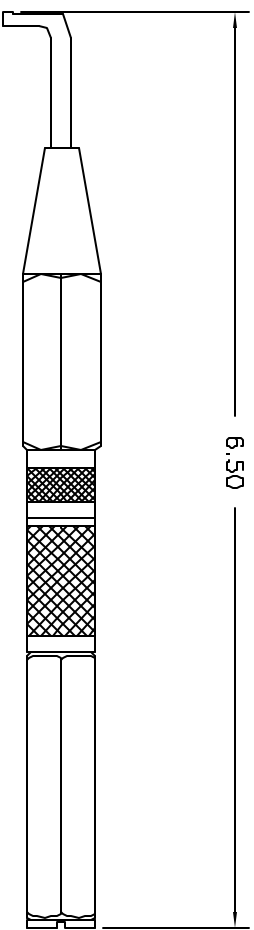


REVISIONS				
REV. STYL.	ECO. NUMBER	DESCRIPTION	BY DATE	APP'D DATE
2		WAS REMOVAL TOOL	JMU 3/3/02	FRK 3/9/02



PROBE DETAIL

**UNCONTROLLED DOCUMENT
WILL NOT BE UPDATED**

NOTES:
1. REFERENCE: ITT CANNON KM-20 (036069-0000).

RESTRICTED & CONFIDENTIAL CONFIDENTIAL PROPERTY OF DANIELS MANUFACTURING CORP. NOT TO BE DISCLOSED TO OTHERS, REPRODUCED OR USED FOR ANY OTHER PURPOSE, EXCEPT AS AUTHORIZED IN WRITING BY DANIELS MANUFACTURING. MUST BE RETURNED TO DANIELS MANUFACTURING CORP. ON COMPLETION OF ORDER OR OTHER REFERENCE FOR WHICH ISSUED.		MATERIAL		ITEM		PART NO.		QTY.		DESCRIPTION/REMARKS	
		HEAT TREAT		DRG. PD		DATE				DANIELS MANUFACTURING CORP. ORLANDO, FLORIDA CAGE 71857	
DO NOT SCALE DRAWING		FINISH		APPRO. DATE		DATE		WHERE USED:		TITLE	
				APPRO. DATE		DATE		SIZE SCALE POSTING		SHEET OF	
								P/N		REV.	
								DHK153-ENV		1 1	
								DHK153-ENV		2 2	