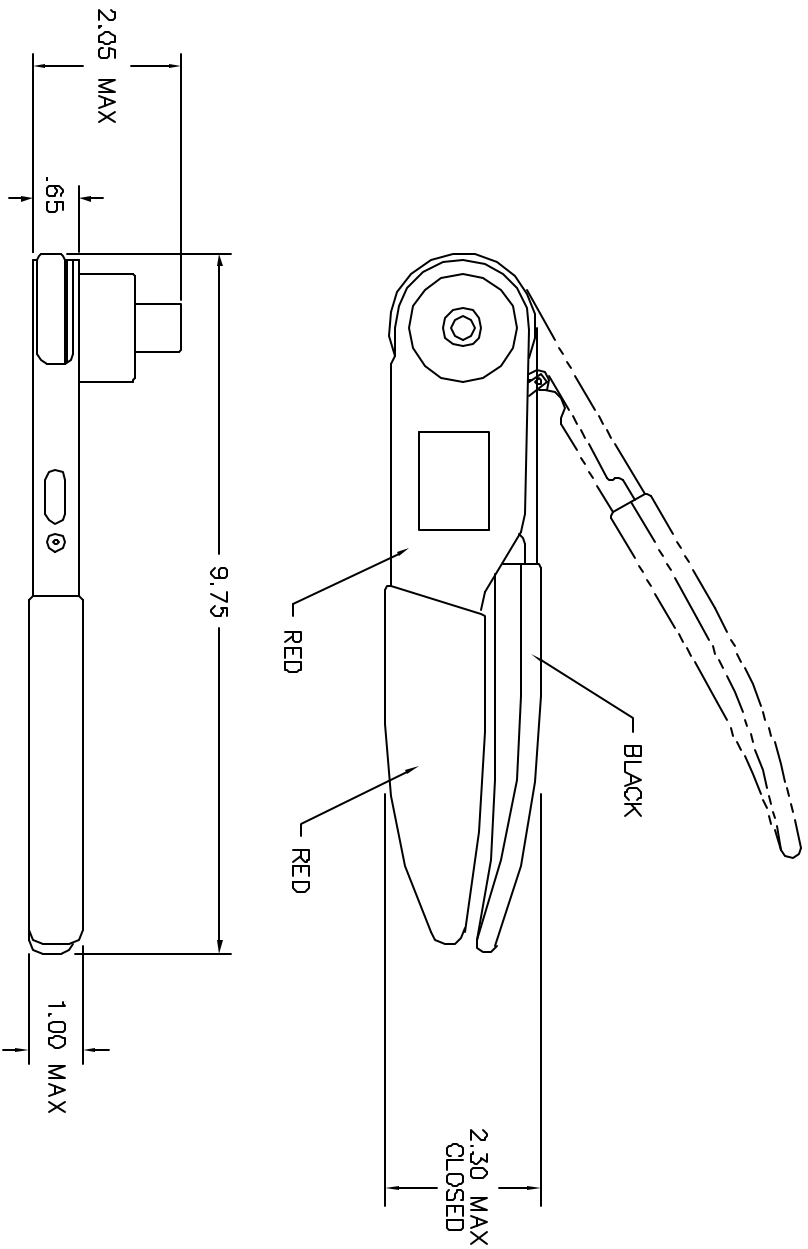


REVISIONS				
REV. SYM.	E.C.D. NUMBER	DESCRIPTION	BY DATE DATE	APP'D DATE DATE
2		HANDLE BOOT WAS RED	MM 02 4-9-02	RRR 02 4-9-02



TUOL NO. 1001-10	WIRE
GAGE 60 .047	NO .052
	16*

CONTACTS:
M39029/4-111
M39029/5-116
* 27% NICKEL WIRE

DATAPLATE

ITEM	PART NO.	QTY.	DESCRIPTION/REMARKS
APR0	RRR	DATE 5-4-99	<p>DMC DANIELS MANUFACTURING CORP. ORLANDO, FLORIDA CAGE 11851</p> <p>TITLE ENVELOPE DRAWING SPECIAL PURPOSE TOOL</p> <p>WHERE USED: SCALE B NTS POSTING</p> <p>QAD P/N 1001-10-ENV</p> <p>SHEET 1 OF 1</p>
APR0	RRR	DATE 5-4-99	
APR0	RRR	DATE	

UNCONTROLLED DOCUMENT
WILL NOT BE UPDATED

DO NOT SCALE DRAWING

RESTRICTED & CONFIDENTIAL
CONFIDENTIAL PROPERTY OF DANIELS MANUFACTURING CORP. NOT TO BE DISCLOSED TO OTHERS. REPRODUCED OR USED FOR ANY OTHER PURPOSE, EXCEPT AS AUTHORIZED IN WRITING, BY DANIELS MANUFACTURING MANUFACTURING CORP. ON COMPLETION OF ORDER OR OTHER PURPOSE FOR WHICH LEFT.