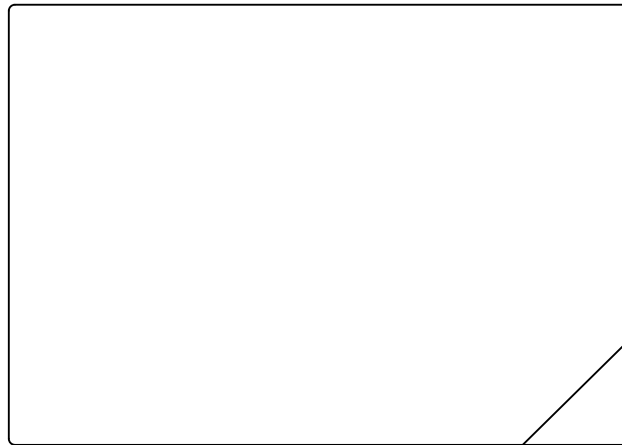
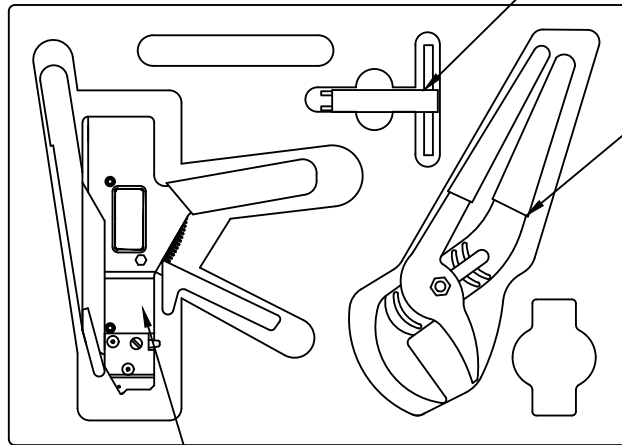


| REVISIONS | | | | |
|-----------|---------------|-------------------|-------------|-------------|
| REV. SYM. | E.C.O. NUMBER | DESCRIPTION | BY DATE | APP'D DATE |
| 2 | | CORRECTED OLD P/N | ENF 4/19/12 | RRR 4/19/12 |



DBS-1100-32
ADJUSTMENT WRENCH




DBS-R05
ROLL-OVER TOOL

DBS-1200
BANDING TOOL

**UNCONTROLLED DOCUMENT
WILL NOT BE UPDATED**

1. CASE IS APPROXIMATELY 13 1/2 W X 11 1/4 D X 4 1/4 H OUTSIDE DIMENSIONS.

NOTES:

| RESTRICTED & CONFIDENTIAL | | MATERIAL | ITEM | PART NO. | QTY. | DESCRIPTION/REMARKS |
|---|--|------------|--|----------|---|---|
| CONFIDENTIAL PROPERTY OF DANIELS MANUFACTURING CORP. NOT TO BE DISCLOSED TO OTHERS, REPRODUCED OR USED FOR ANY OTHER PURPOSE, EXCEPT AS AUTHORIZED IN WRITING BY DANIELS MANUFACTURING. MUST BE RETURNED TO DANIELS MANUFACTURING CORP. ON COMPLETION OF ORDER OR OTHER PURPOSE FOR WHICH LENT. | | HEAT TREAT | DRN. | J. JOYCE | DATE 3/13/07 |  DANIELS MANUFACTURING CORP. ORLANDO, FLORIDA CAGE 11851 |
| | | | CHK'D | RRR | DATE 3/13/07 | |
| | | | APP'D. | | DATE | |
| | | | APP'D. | | DATE | |
| DO NOT SCALE DRAWING | | FINISH | NOTE: THIS DRAWING IS AN OUTLINE DRAWING OF THE RESPECTIVE DMC PART NUMBER INDICATED. ACTUAL DMC PART NUMBER IS DRAWING NUMBER WITHOUT THE "-ENV" SUFFIX. | | TITLE MANUAL BANDING TOOL SET ENVELOPE DRAWING | WHERE USED: CAD P/N DBS-1201-ENV SHEET 1 OF 1 DWG. NO. DBS-1201-ENV REV. 2 |