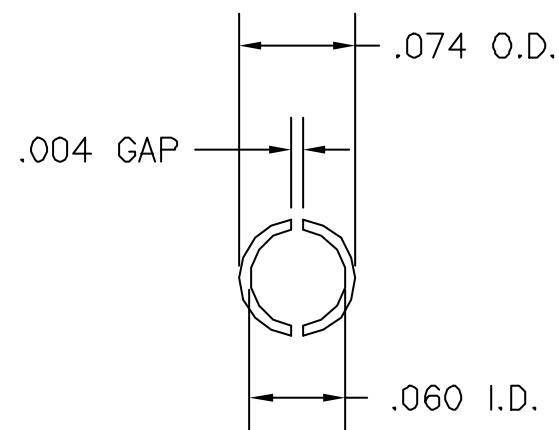
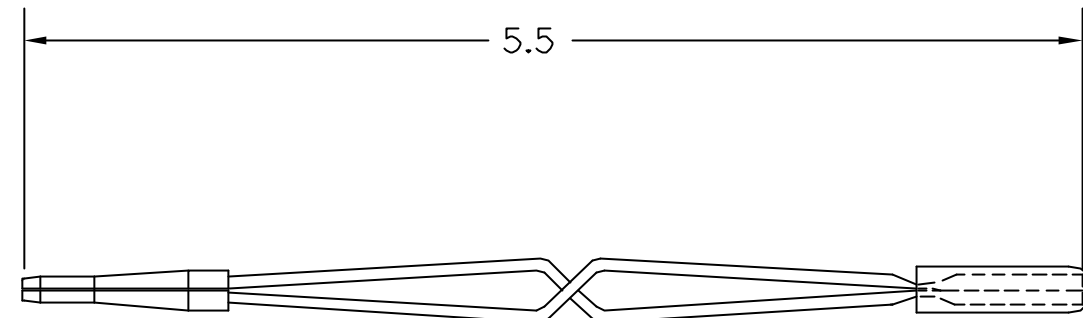
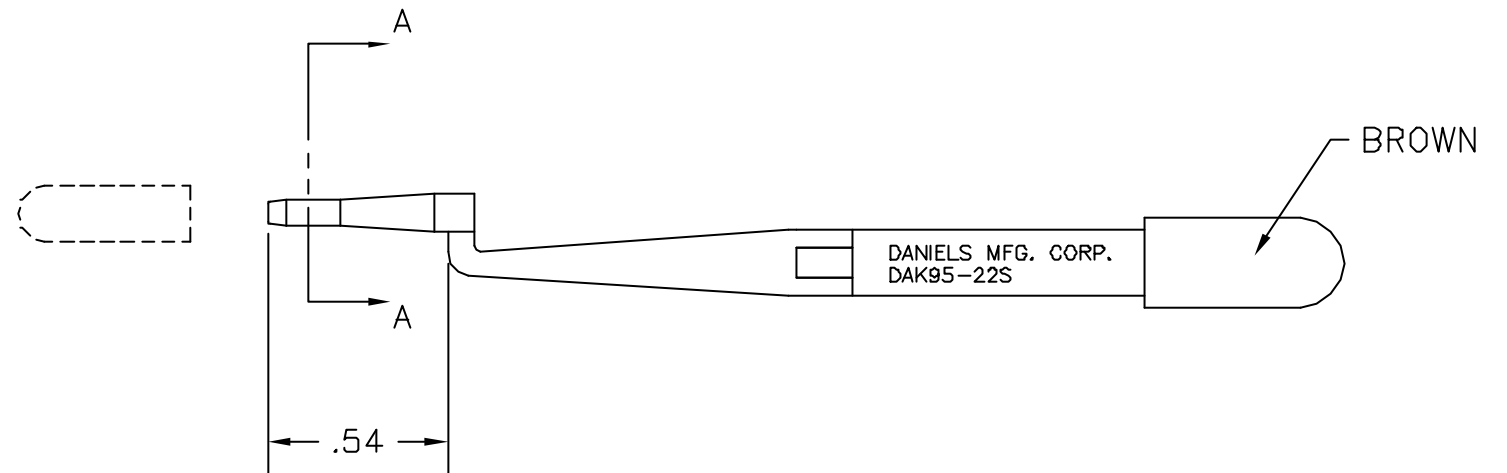



REVISIONS				
REV. SYM.	E.C.O. NUMBER	DESCRIPTION	BY DATE	APP'D DATE
1		ORIGINAL RELEASE	AAM 7-9-99	RRR 7-9-99



VIEW A-A



**UNCONTROLLED DOCUMENT
WILL NOT BE UPDATED**

RESTRICTED & CONFIDENTIAL		ITEM	PART NO.	QTY.	DESCRIPTION/REMARKS
CONFIDENTIAL PROPERTY OF DANIELS MANUFACTURING CORP. NOT TO BE DISCLOSED TO OTHERS, REPRODUCED OR USED FOR ANY OTHER PURPOSE, EXCEPT AS AUTHORIZED IN WRITING BY DANIELS MANUFACTURING. MUST BE RETURNED TO DANIELS MANUFACTURING CORP. ON COMPLETION OF ORDER OR OTHER PURPOSE FOR WHICH LENT.		DRN.	A. MOO-YOUNG	DATE	7-8-88
		CHK'D.	RRR	DATE	7-8-88
		APP'D.		DATE	
		APP'D.		DATE	
DO NOT SCALE DRAWING		NOTE: THIS DRAWING IS AN OUTLINE DRAWING OF THE RESPECTIVE DMC PART NUMBER INDICATED. ACTUAL DMC PART NUMBER IS DRAWING NUMBER WITHOUT THE "-ENV" SUFFIX.		 DANIELS MANUFACTURING CORP. ORLANDO, FLORIDA CAGE 11851	
		TITLE		INSERTION TOOL ENVELOPE DRAWING	
		WHERE USED:	SIZE	SCALE	CAD P/N
			B	NTS	DAK95-22S-ENV
		POSTING	DWG. NO.		SHEET OF
			DAK95-22S-ENV		1 1
			REV.		1