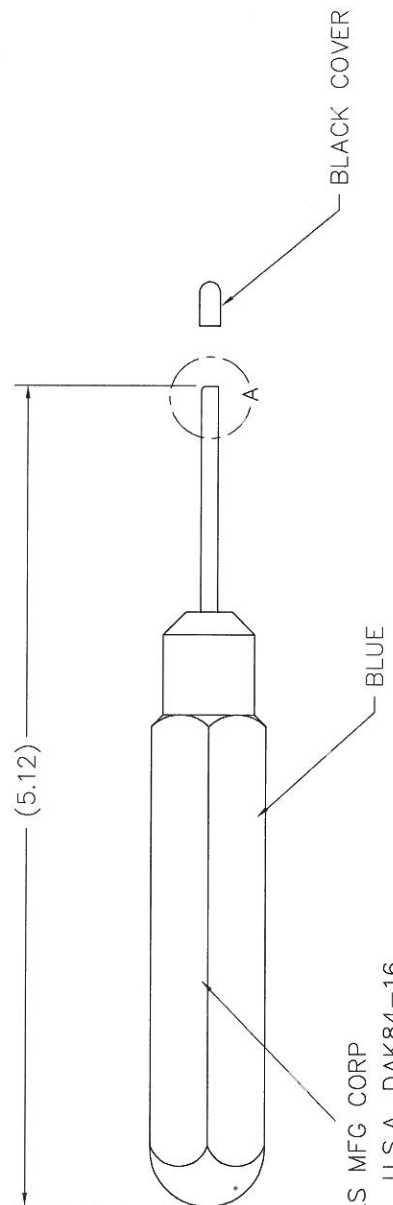
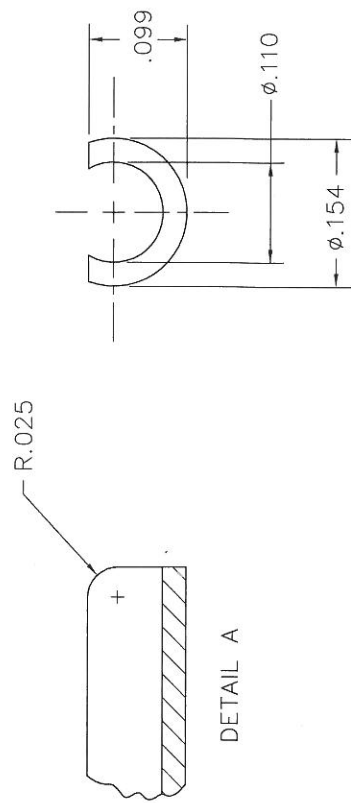


REVISIONS			
REV. SYM.	E.C.O. NUMBER	DESCRIPTION	BY DATE
1		ORIGINAL RELEASE	AAM 7-30-99 RRR 7-30-99




DANIELS MFG CORP
ORLANDO FL U.S.A. DAK84-16



ENLARGED END VIEW

**UNCONTROLLED DOCUMENT
WILL NOT BE UPDATED**

DIMENSIONS IN INCHES - UNLESS OTHERWISE SPECIFIED

ITEM	PART NO.	QTY.	DESCRIPTION/REMARKS
DRN. A. MOO-YOUNG	DATE 7-30-99		 DANIELS MANUFACTURING CORP. ORLANDO, FLORIDA CAGE 11851
CHK'D. RRR	DATE 7-30-99		
APP'D.	DATE		
APP'D.	DATE		
TITLE ENVELOPE DRAWING INSTALLING TOOL #16			
WHERE USED: THIS DRAWING IS AN OUTLINE DRAWING OF THE RESPECTIVE ITEM. THE DIMENSIONS INDICATED ARE ACTUAL DIMENSIONS. THE PART NUMBER IS DRAWING NUMBER WITHOUT THE "-ENV" SUFFIX.			
			CAD P/N: DAK84-16-ENV SCALE: NTS SHEET OF: 1
			P/N: DAK84-16-ENV REV: 1

RESTRICTED & CONFIDENTIAL

CONFIDENTIAL PROPERTY OF DANIELS MANUFACTURING CORP. NOT TO BE DISCLOSED TO ANY OTHER PARTY OR USED FOR ANY OTHER PURPOSE EXCEPT AS AUTHORIZED IN WRITING BY DANIELS MANUFACTURING CORP. ON COMPLETION OF ORDER OR OTHER PURPOSE FOR WHICH LENT.