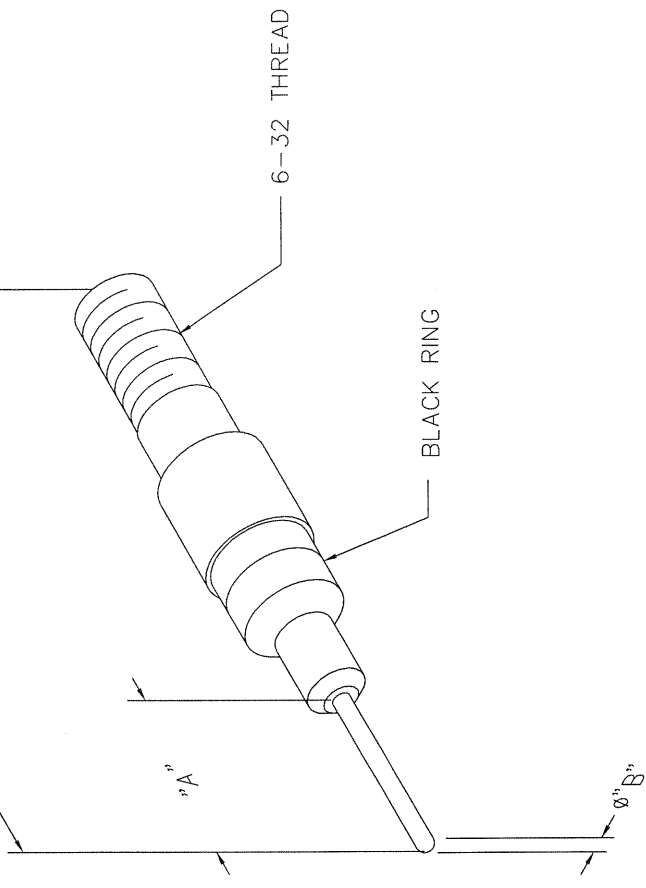


UNCONTROLLED DOCUMENT
WILL NOT BE UPDATED

REV. SYM.		E.C.O. NUMBER		DESCRIPTION		BY DATE		APP'D DATE	
3				ADDED	67-008-01	K. KOONS	1.23.08		1.23.08



67-026-01	.525	.024	1.400	GREEN
67-024-01	.525	.020	1.400	GOLD
67-023-01	.466	.026	1.355	BLACK
67-022-01	.466	.031	1.350	COPPER
67-020-01	.525	.040	1.405	RED
67-016-01	.488	.064	1.375	BLUE
67-012-01	.675	.094	1.565	YELLOW
67-008-01	.752	.130	1.500	RED
PART NO.	"A"	"B"	"C"	COLOR

ITEM		PART NO.		QTY.		DESCRIPTION/REMARKS	
DRN.	JMC	DATE	2-11-00			 DANIELS MANUFACTURING CORP. ORLANDO, FLORIDA CAGE 11851	
CHK'D.	JWJ	DATE	2-11-00				
APP'D.		DATE					
APP'D.		DATE					
TITLE: TIP, SOCKET RETENTION TESTER ENVELOPE DRAWING							
WHERE USED:							
DRAWING OF THE RESPECTIVE DMC PART NUMBER INDICATED. ACTUAL DMC PART NUMBER IS DRAWING		SIZE	SCALE	CAD P/N	SHEET	OF	
		B	NTS	67-XXX-01-ENV	1	1	
		POSTING		DMG. NO.	REV.		
				67-XXX-01-ENV			3

RESTRICTED & CONFIDENTIAL
 CONFIDENTIAL PROPERTY OF DANIELS MANUFACTURING CORP. NOT TO BE DISCLOSED TO OTHERS, REPRODUCED OR USED FOR ANY OTHER PURPOSE, EXCEPT AS AUTHORIZED IN WRITING BY DANIELS MANUFACTURING CORPORATION. THIS DRAWING IS THE PROPERTY OF DANIELS MANUFACTURING CORPORATION AND MUST BE RETURNED TO DANIELS MANUFACTURING CORPORATION UPON ORDER OR OTHER PURPOSE FOR WHICH LENT.

NOTE:
 THIS DRAWING IS AN OUTLINE DRAWING OF THE RESPECTIVE DMC PART NUMBER INDICATED. ACTUAL DMC PART NUMBER IS DRAWING THE "ENV" SUFFIX.

DO NOT SCALE DRAWING