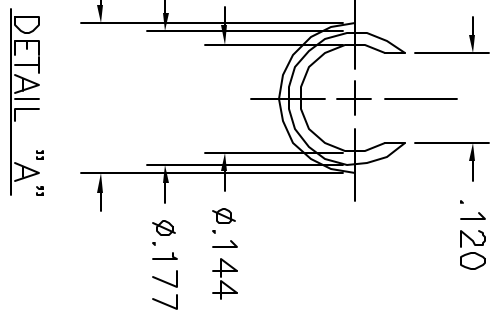
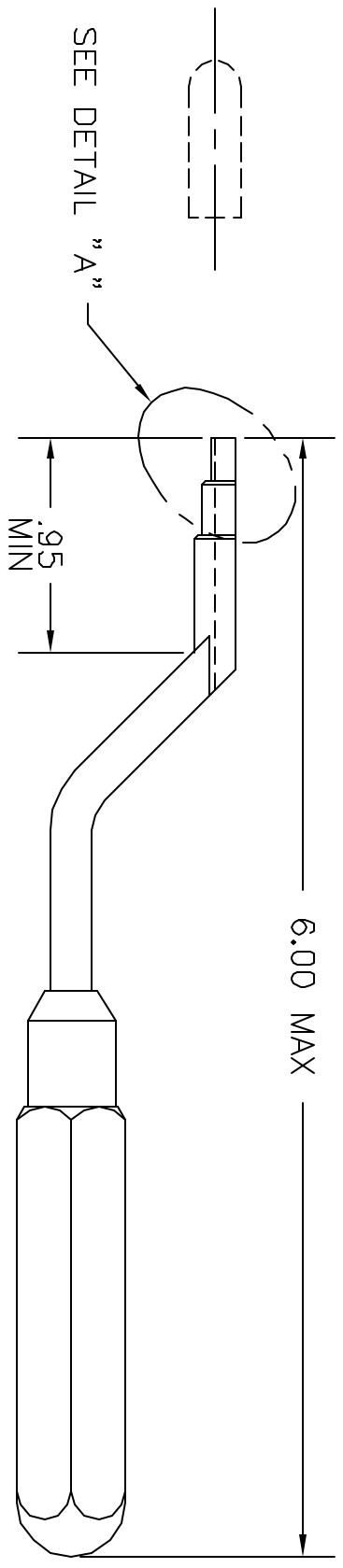


REVISIONS				
REV. SYM.	E.C.O. NUMBER	DESCRIPTION	BY DATE	APP'D DATE
1		ORIGINAL RELEASE	DUNG CAD 10-6-95	DE 10-95



**UNCONTROLLED DOCUMENT
WILL NOT BE UPDATED**

RESTRICTED & CONFIDENTIAL CONFIDENTIAL PROPERTY OF DANIELS MANUFACTURING CORP. NOT TO BE DISCLOSED TO OTHERS, REPRODUCED OR USED FOR ANY OTHER PURPOSE, EXCEPT AS AUTHORIZED IN WRITING BY DANIELS MANUFACTURING. MUST BE RETURNED TO DANIELS MANUFACTURING CORP. ON COMPLETION OF ORDER OR OTHER PURPOSE FOR WHICH LENT.		MATERIAL		ITEM		PART NO.		QTY.		DESCRIPTION/REMARKS	
		HEAT TREAT		DUNG CAO		DATE		DATE		DANIELS MANUFACTURING CORP. ORLANDO, FLORIDA CAGE 11851	
FINISH		APP'D.		DATE		DATE		TITLE		WHERE USED:	
		APP'D.		DATE		DATE		INSTALLING TOOL ENVELOPE DRAWING		CAD P/N	
										SHEET	
										OF	
										REV.	
										1	
										1	

DO NOT SCALE DRAWING				SIZE				SCALE				CAD P/N				SHEET				OF				REV.			
				A				NTS				DAK55-12J				1				1				1			
				POSTING								P/N				DAK55-12J											