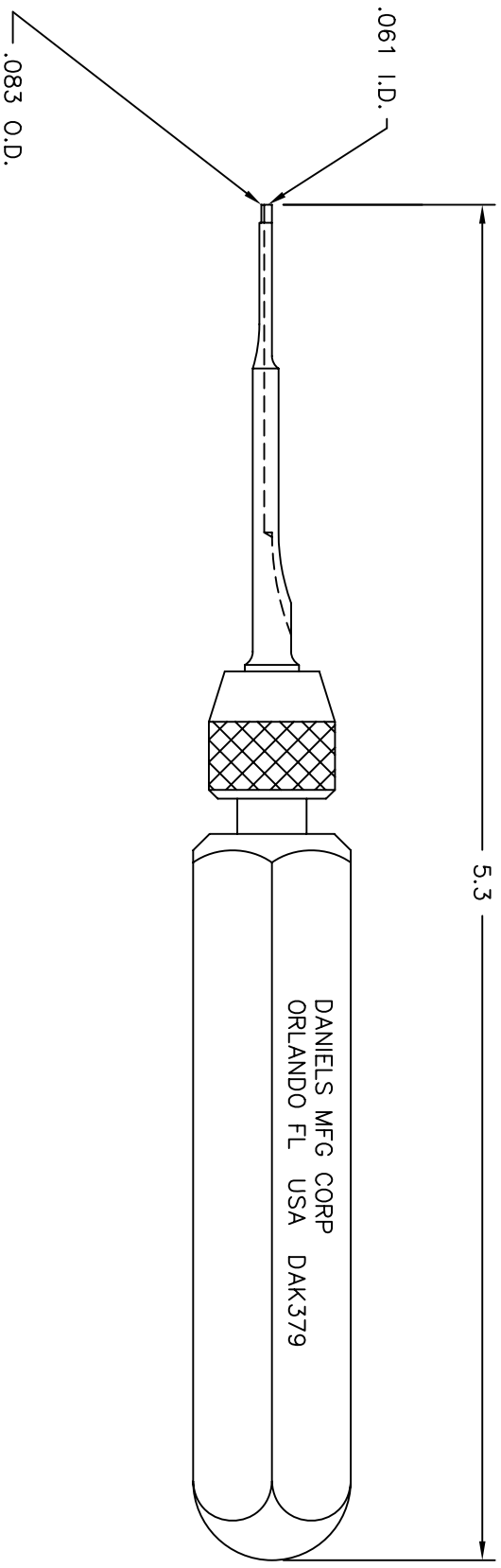


REVISIONS				
REV. SYM.	E.C.O. NUMBER	DESCRIPTION	BY DATE	APPD. DATE
1		ORIGINAL RELEASE	M.SCRUGGS 3/6/96	3/96



**UNCONTROLLED DOCUMENT
WILL NOT BE UPDATED**

RESTRICTED & CONFIDENTIAL
CONFIDENTIAL PROPERTY OF DANIELS MANUFACTURING CORP. NOT TO BE DISCLOSED TO OTHERS, REPRODUCED OR USED FOR ANY OTHER PURPOSE, EXCEPT AS AUTHORIZED IN WRITING BY DANIELS MANUFACTURING. MUST BE RETURNED TO DANIELS MANUFACTURING UPON COMPLETION OF ORDER OR OTHER PURPOSE FOR WHICH LENT.

DO NOT SCALE DRAWING

MATERIAL	ITEM	PART NO.	QTY.	DESCRIPTION/REMARKS
FINISH	DRG. M.SCRUGGS CHK'D. DE	DATE 3/6/96 DATE 3/96		DANIELS MANUFACTURING CORP. ORLANDO, FLORIDA CAGE 11851
HEAT TREAT	APPD. DATE			
	APPD. DATE			
NOTE: THIS DRAWING IS AN OUTLINE DRAWING OF THE RESPECTIVE INDICATED PART NUMBER. PART NUMBER IS DRAWING NUMBER WITHOUT THE "-ENV" SUFFIX. WHERE USED:				
TITLE		INSTALLATION TOOL ENVELOPE DRAWING		
SIZE	SCALE	CAD P/N	SHEET	OF
B	NTS	DAK379-ENV	1	1
POSTING	DWG. NO.	DAK379-ENV	REV.	1

1. REFERENCE: BOEING I, R & D 4950.

NOTES: