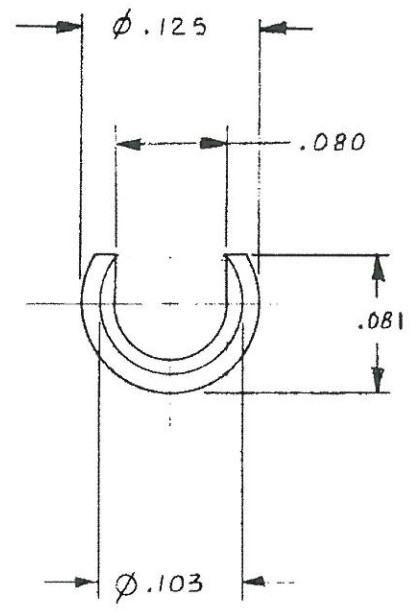
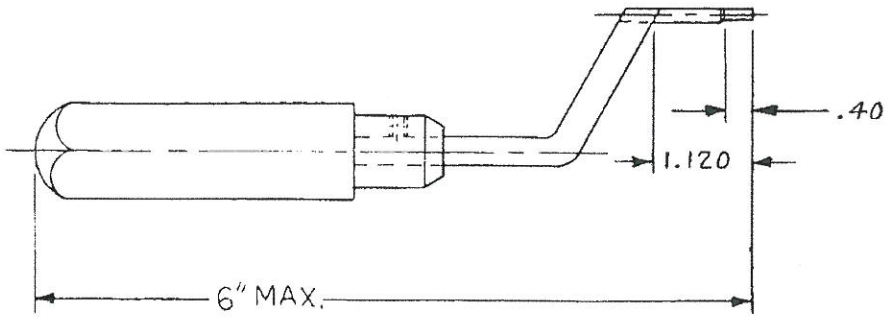


REVISIONS		
REV. SYM.	ECO NO.	DESCRIPTION
A		ORIG. RELEASE




ENLARGED  
PROBE END

**UNCONTROLLED DOCUMENT  
WILL NOT BE UPDATED**

---

**DIMENSIONS IN INCHES-UNLESS OTHERWISE SPECIFIED**

MAT'L./HEAT TREAT	ITEM	PART NUMBER	REQ'D	DESCRIPTION/NOMEN
	DRN	DATE		 DANIELS MANUF, ORLANDO, FLORID CAGE 11851
	CHK'D	DATE		
FINISH	APP'D	DATE	TITLE	ENVELOPE DR, INSTALLING TOOL
	APP'D	DATE		
RESTRICTED & CONFIDENTIAL	TOLERANCE: UNLESS OTHERWISE SPECIFIED FRACTIONS ± 1/32 ANGLES ± 1/2° DECIMALS: .X: ± .020 .XX: ± .010 .XXX: ± .005 .XXXX: ± .0005 REMOVE BURRS & BREAK SHARP EDGES .005-.015			WHERE USED:
<small>CONFIDENTIAL INFORMATION, PROPERTY OF DANIELS MFG. CORP. NOT TO BE DISCLOSED TO OTHERS. REPRODUCED OR USED FOR ANY OTHER PURPOSE, EXCEPT AS AUTHORIZED IN WRITING BY DANIELS MFG. CORP. MUST BE RETURNED TO DANIELS MFG. CORP. ON COMPLETION OF ORDER OR OTHER PURPOSE FOR WHICH LENT.</small>	SIZE	SCALE	SUPERSEDES	
	B	N T S		
	POSTING	PART NO.		
		DAK352		