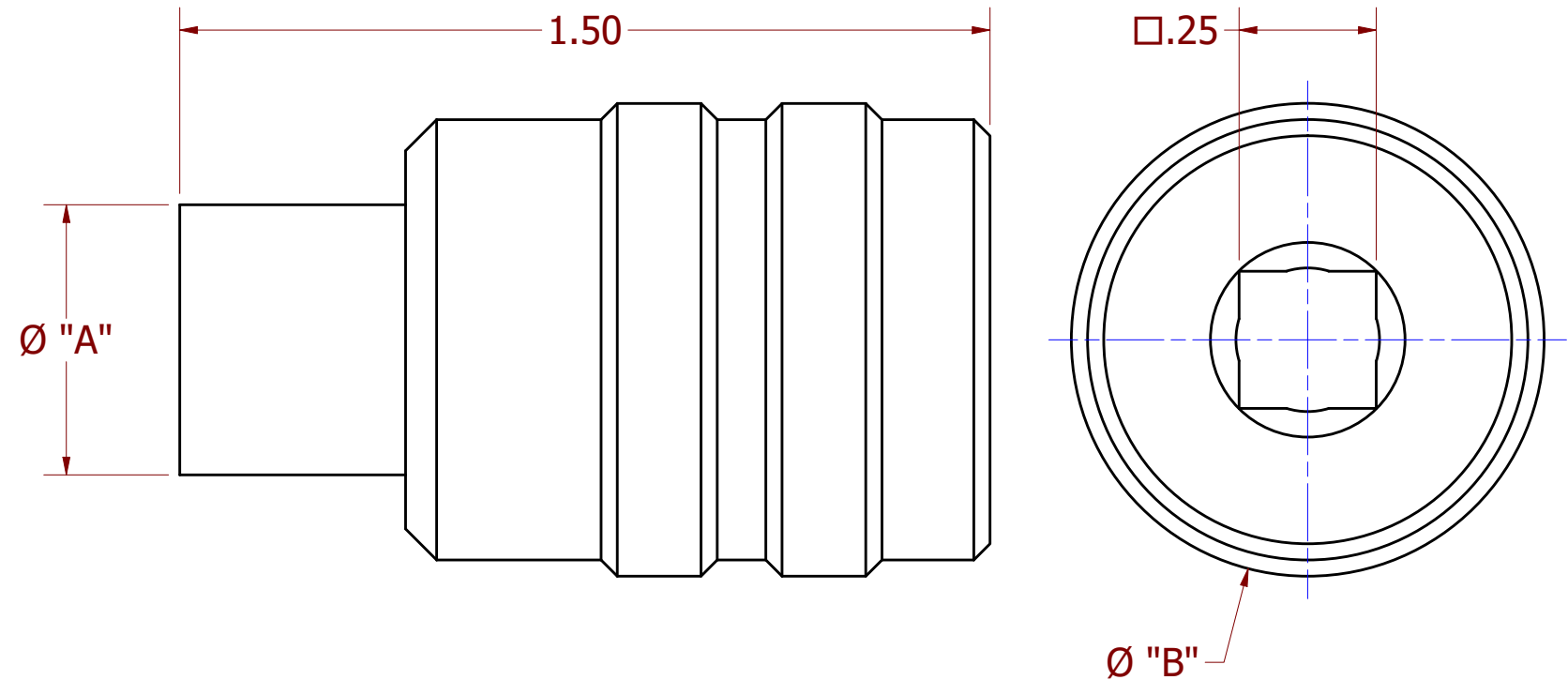


REVISIONS

REV	ECO NO.	DESCRIPTION	BY	DATE	APP'D BY	DATE
1		INITIAL RELEASE	D. HENDESS	10/16/2018		
2		ADDED NOTES 1 & 2	CJY	4/17/2026	K. KOONS	4/17/2026

PART NUMBER	DIM "A"	DIM "B"	KEYING
CM805-08**	.43	.88	ALL
CM805-09**	.50	.88	ALL
CM805-10**	.55	.88	ALL
CM805-11**	.61	.88	ALL
CM805-12**	.70	.88	ALL
CM805-15**	.80	1.00	ALL
CM805-18**	1.00	1.25	ALL
CM805-19**	1.00	1.25	ALL
CM805-23**	1.25	1.5	ALL
CM805R-08**	.37	.88	ALL
CM805R-09**	.45	.88	ALL
CM805R-10**	.51	.88	ALL
CM805R-11**	.56	.88	ALL
CM805R-12**	.65	.88	ALL
CM805R-15**	.73	.88	ALL
CM805R-18**	.90	1.13	ALL
CM805R-19**	.96	1.13	ALL
CM805R-23**	1.21	1.38	ALL



** DENOTES PART NUMBER SUFFIX:

- AA = KEYING A
- BB = KEYING B
- CC = KEYING C
- DD = KEYING D
- EE = KEYING E
- FF = KEYING F

EXAMPLE PART NUMBER: CM805-08BB

1. ADAPTER TOOLS MADE TO FIT AMPHENOL 2M805 SERIES CONNECTORS.

* INDICATES THAT ADAPTER TOOLS WILL ALSO FIT GLENAIR 805 "MIGHTY MOUSE SERIES CONNECTORS.

NOTES:

**UNCONTROLLED DOCUMENT
WILL NOT BE UPDATED**

DIMENSIONS IN INCHES - UNLESS OTHERWISE SPECIFIED

RESTRICTED & CONFIDENTIAL

CONFIDENTIAL PROPERTY OF DANIELS MANUFACTURING CORP. NOT TO BE DISCLOSED TO OTHERS. REPRODUCTION OR USED FOR ANY OTHER PURPOSE EXCEPT AS AUTHORIZED IN WRITING BY DANIELS MANUFACTURING. MUST BE RETURNED TO DANIELS MANUFACTURING CORP. ON COMPLETION OF ORDER OR PURPOSES FOR WHICH LENT.

DRN. DANIEL HENDESS	DATE 10/16/2018	INTERPRET PER ASME Y14.5M-2018
CHK'D K. KOONS	DATE 10/16/2018	DMC DANIELS MANUFACTURING CORP. ORLANDO, FLORIDA CAGE 11851
APP'D T. KUHL	DATE 4/17/2026	

NOTE: THIS DRAWING IS AN OUTLINE DRAWING OF THE RESPECTIVE DMC PART NUMBER INDICATED.		TITLE SERIES 2M805/805 ADAPTOR TOOLS ENVELOPE DRAWING	
WHERE USED:	SIZE B	SCALE N.T.S.	CAD NO. CM805_ENV
			SHEET 1 OF 1
			REV. 2

CM805