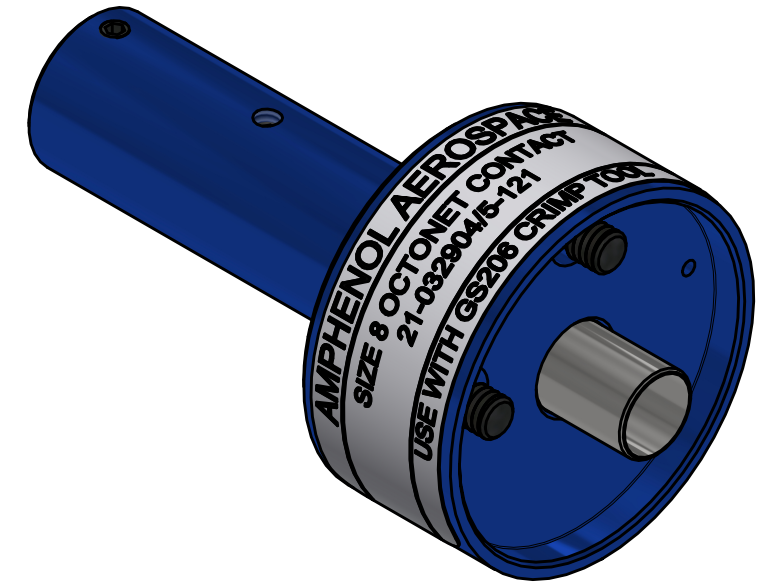
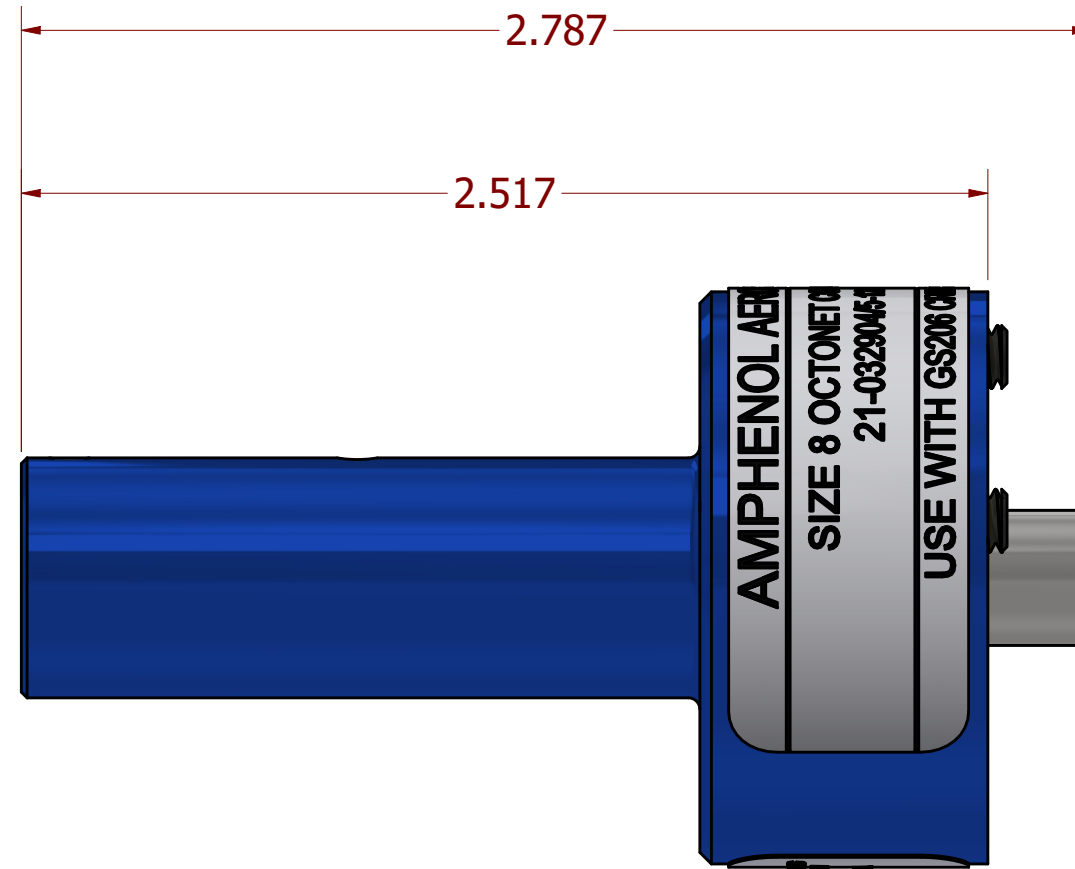
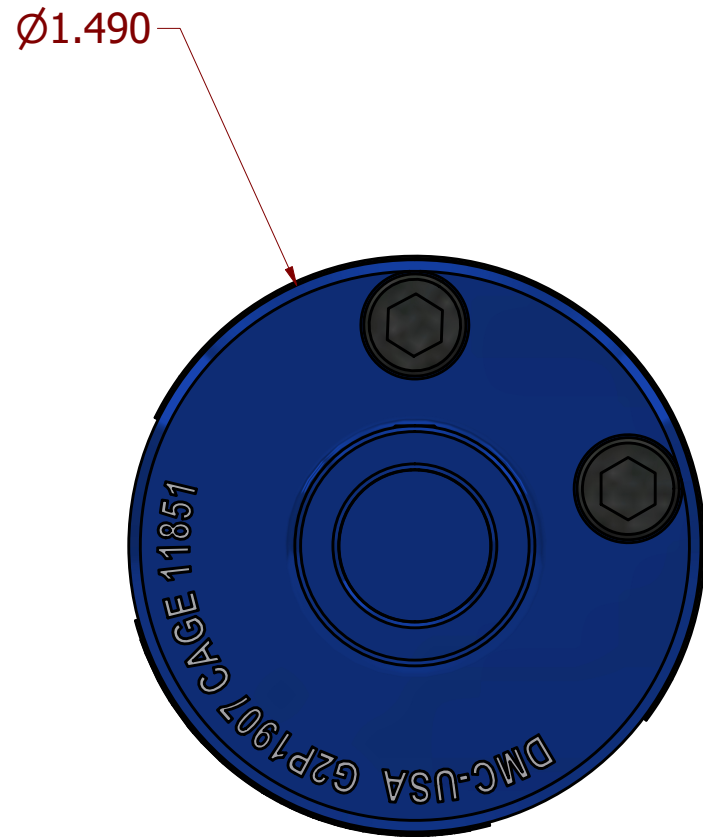


REVISIONS

REV	ECO NO.	DESCRIPTION	BY	DATE	APP'D BY	DATE
1	27836	INITIAL RELEASE	MWL	9/22/2023	K. KOONS	9/22/2023



AMPHENOL AEROSPACE
SIZE 8 OCTONET CONTACT
21-032904/5-121
USE WITH GS206 CRIMP TOOL

DATAPLATE
 SCALE 2 : 1

LOCATOR	
HOLE DIMENSIONS	ADDITIONAL FEATURES
Ø.295 ▽1.45	└┘Ø.320 ▽.755

UNCONTROLLED DOCUMENT
WILL NOT BE UPDATED

DIMENSIONS IN INCHES - UNLESS OTHERWISE SPECIFIED
 RESTRICTED & CONFIDENTIAL

CONFIDENTIAL PROPERTY OF DANIELS MANUFACTURING CORP. NOT TO BE DISCLOSED TO OTHERS. REPRODUCTION OR USED FOR ANY OTHER PURPOSE EXCEPT AS AUTHORIZED IN WRITING BY DANIELS MANUFACTURING. MUST BE RETURNED TO DANIELS MANUFACTURING CORP. ON COMPLETION OF ORDER OR PURPOSES FOR WHICH LENT.

DRN. MATT L.	DATE 9/14/2023	INTERPRET PER ASME Y14.5M-2018	
CHK'D K. KOONS	DATE 9/14/2023	DANIELS MANUFACTURING CORP. ORLANDO, FLORIDA CAGE 11851	
APP'D J.C.	DATE 9/14/2023		
NOTE: THIS DRAWING IS AN OUTLINE DRAWING OF THE RESPECTIVE DMC PART NUMBER INDICATED.		TITLE SINGLE POSITION HEAD ENVELOPE DRAWING WHERE USED: GS206	
SIZE B	SCALE N.T.S.	CAD NO. G2P1907_ENV	SHEET 1 OF 1
		PART NO. G2P1907	REV. 1

NOTES: