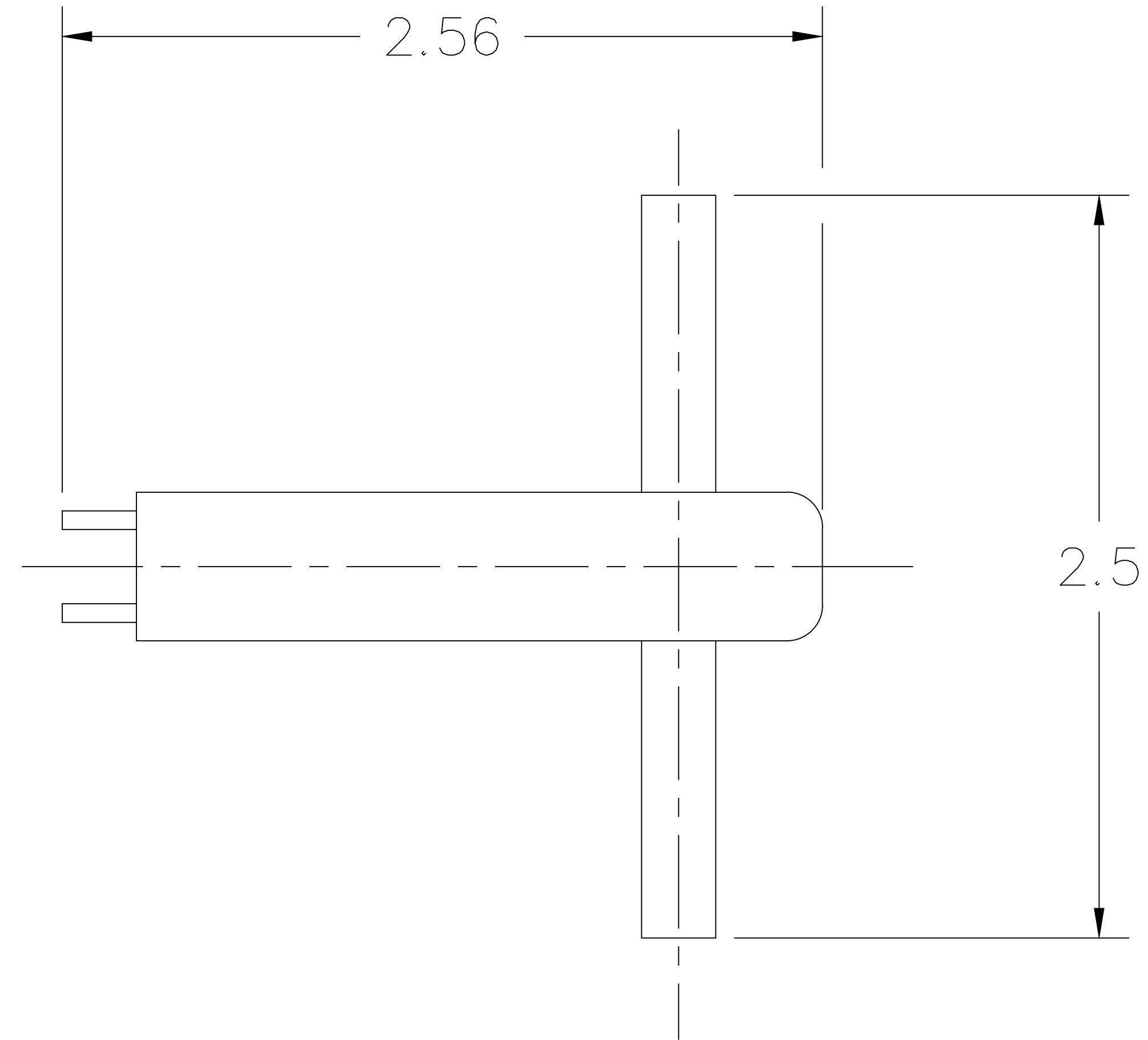
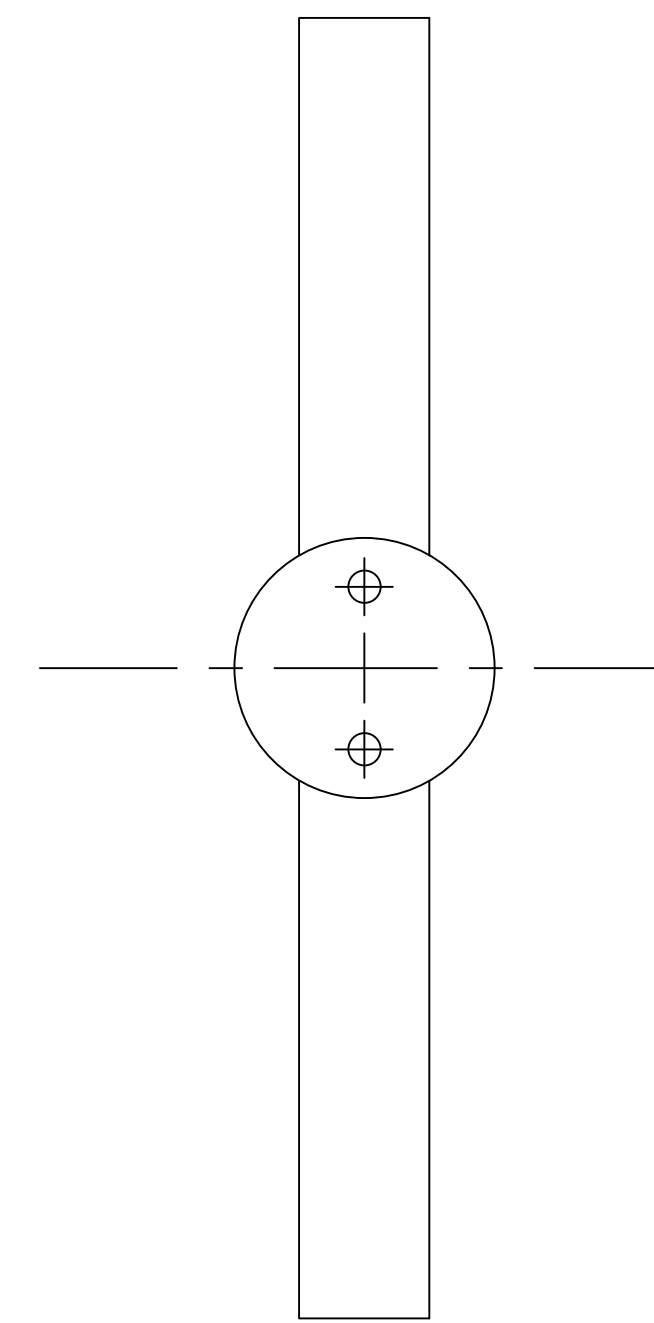
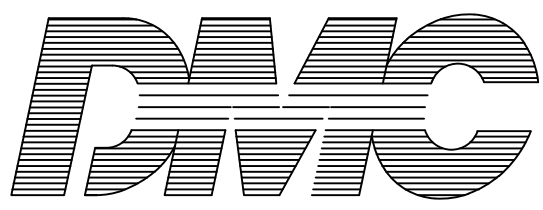


REVISIONS				
REV. SYM.	E.C.O. NUMBER	DESCRIPTION	BY DATE	APP'D DATE
A		ORIGINAL RELEASE		
B	13525	WAS 6-1062 (OBS)	RGS 3-94	



RESTRICTED & CONFIDENTIAL

CONFIDENTIAL PROPERTY OF DANIELS MANUFACTURING CORP. NOT TO BE DISCLOSED TO OTHERS, REPRODUCED OR USED FOR ANY OTHER PURPOSE, EXCEPT AS AUTHORIZED IN WRITING BY DANIELS MANUFACTURING. MUST BE RETURNED TO DANIELS MANUFACTURING CORP. ON COMPLETION OF ORDER OR OTHER PURPOSE FOR WHICH LENT.

MATERIAL	ITEM	PART NO.	QTY.	DESCRIPTION/REMARKS
HEAT TREAT	DRN. J. STRATON	DATE 7-3-90		DANIELS MANUFACTURING CORP. ORLANDO, FLORIDA CAGE 11851
	CHK'D. P. DEPAIVA	DATE 7-5-90		
FINISH	APP'D. M. SCRUGGS	DATE 7-17-90	TITLE ADJUSTMENT WRENCH	
	APP'D.	DATE	WHERE USED:	
			SIZE A	SCALE NTS
			CAD P/N E-DBS32	SHEET OF 1 1
			POSTING	P/N DBS-1100-32-ENV
				REV. B